

Multiple Display Control Protocol

for SyncMaster P42H(n) P50Hn

P50F(n) P63F(n)

230MX(n) 230Tsn

320MX(n) 400CX(n)

400MX(n) 460CX(n)

320MP(n) 400MP(n)

460MP(n) 460UT(n)

320MX(n)-2 320MP-2

400MX(n)-2 400FP(n)-2

460MX(n)-2 460FP(n)-2

P50HP P63FP

520DX



Copyright notice

This document is Copyright © Samsung Electronics, Co. - all rights reserved.

「This document is a technical asset of Samsung Electronics, Co. and using or copying this material without the authorization from the technical data management group is strictly prohibited..」

Contact Information

*Display S/W Group, VD Business Division
Samsung Electronics Co., Ltd*

*Address : 416, Maetan-3Dong, Paldal-Gu,
Suwon City, Kyungki-Do, Korea
442-742*

Telephone : 82-31-277-2329

*E-mail : mickle@samsung.com
taing.kim@samsung.com*

Prepared by : Display S/W, Video Display Division.

Status : Prepared

Subject : Technical Writer, Programmer, Developer

Outline : Protocol type document of Multiple Display Control 1.0

History :

Version	Date	Content	Prepared by	Compared by
1.0	2005. 01. 05.	Protocol for Multiple Display Control	S. Jang	
1.1	2005. 01. 07	Add Safety Lock	S. Jang	
1.2	2005. 01. 18	Add Video Wall	J. Lee	
1.3	2005. 01. 26	modify Maintenance Control	S. Jang	
1.4	2005. 03. 11	modify Baudrate, PIP Control	J. Lee	
1.5	2005. 07. 04	Add Commands	S. Jang	
1.6	2005. 11. 11	Add Command (Screen Scroll On)	S. Jang	
1.7	2006. 02. 01	Add Commands	H. Park	
1.8	2006. 10. 02	Add Commands	H. Park	
1.9	2006. 12. 18	Add Commands (New Video Wall)	H. Park	

Version	Date	Content	Prepared by	Compared by
2.0	2007. 04. 17.	Add Commands	H. Park	
2.1	2008. 06. 26.	Add Commands	J. Choi	
2.2	2008. 10. 17.	Modify Commands (Model Number Control Command)	B.I. Choi	
2.4	2009. 01. 23.	Modify Commands (Model Number Control Command)	B.I. Choi	
2.5	2009. 01. 31.	Modify Document	B.I. Choi	
2.6	2009. 03. 16.	Modify Commands (Model Number Control Command)	B.I. Choi	
2.7	2009. 06. 25	Modify Commands (Model Number Control Command)	J.H. Choi	
2.8	2009. 10. 05	Modify Commands (Model Number Control Command)	J.H. Choi	
2.9	2009. 12. 01	Modify Commands (Video Wall User Control Command- Example table)	J.H. Jeong	
	2009. 12. 01	Add Commands (Panel On/Off Command)	J.H. Jeong	
3.0	2009. 12. 02	Modify Commands (Video Wall User Control Command- Example table(5x5,10x10))	J.H. Jeong	
3.1	2010. 04. 09	Add Model (P50HP, P63FP)	J.H. Jeong	
	2010. 04. 09	Add Commands (Timer1 Control, Timer2 Control, Timer3 Control, Clock Control, Holiday Add/Delete Control, Holiday Get Control)	J.H. Jeong	
	2010. 04. 09	Add Model Number (SyncMaster P50HP-2 SyncMaster P63FP-2)	J.H. Jeong	
3.2	2010.10.08	Add Command (Channel Up/Down)	T.H. Kim	
	2010.10.19	Add Model (230 Mx(n), 230 Tsn)	T.H. Kim	

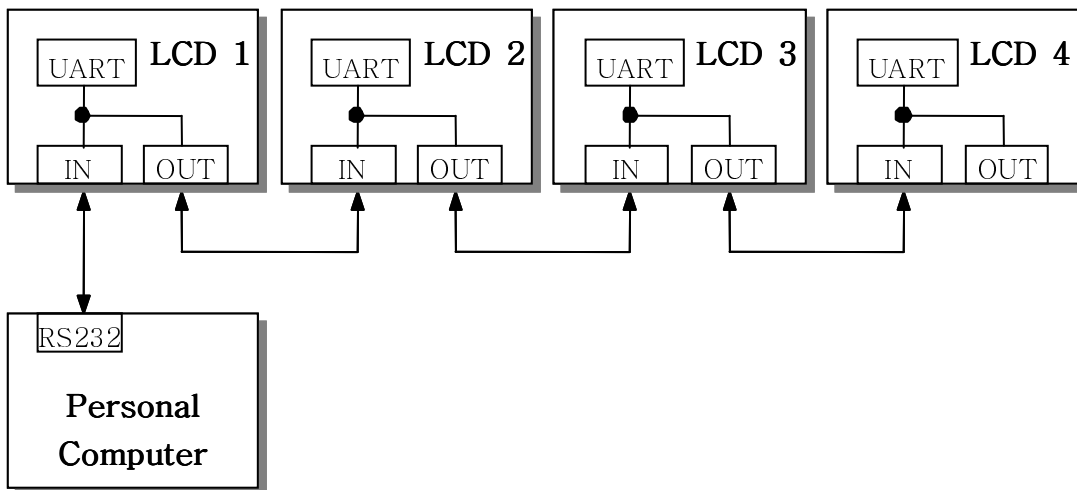
1. INTERFACE

1.1. Connecting Method

1) Connecting method

- As of Figure 1-1, connect RS232-In(9Pin) to Personal Computer, connect the next TV of Display to be connected from RS232-Out (9Pin).
- In doing so, each TV or Monitor ID can be given from 0 to 99.
- ID cannot be given duplicated.
- When granting ID, it does not need to be given out in the connecting order.

Figure1-1 PC,TV or Monitor connecting method



1.2. Connection Spec.

1) Connection Spec.

- Interactive communications using RS232.
- Of RS232 standards, three signals RxD(No.2), TxD(No.3) and GND(No.5) are used → Refer to Figure 1
- Limit the distance between devices to less than 4m.
- Currently, out of 9 PIN RS232 terminal, PINS in use are numbers 2, 3 and 5.
- **ID should show hexadecimal value of assigned ID, but ID 0 should be 0xFF.**
- **Every communication will be made in hexadecimals and Checksum is the sum of all remainings. If it exceeds two digits, for example, it is 11+ FF+01+01=112, discard the number in the first digit like below.**

example) Power On & ID=0

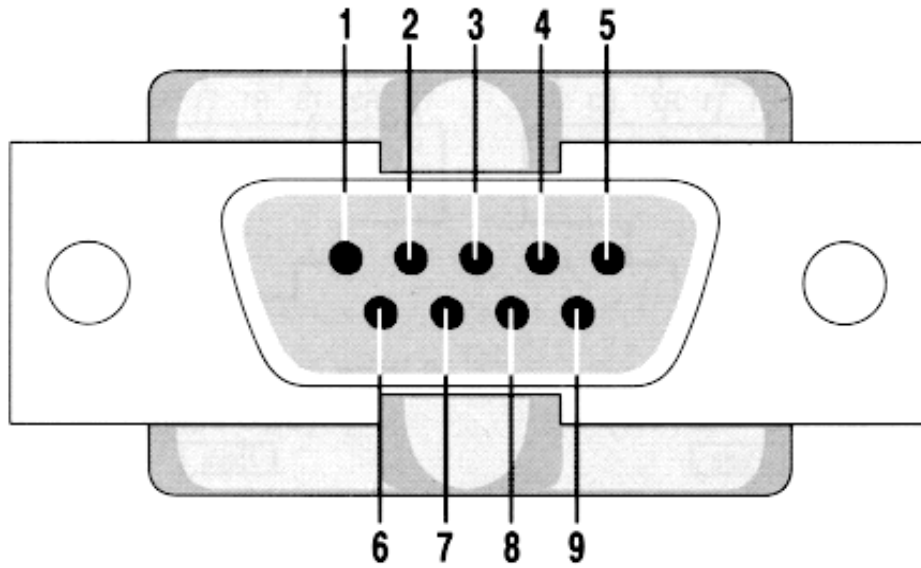
Header	Command	ID	Data Length	Data 1	Check Sum
0xAA	0x11		1	Power	
→					
Header	Command	0xFF	Data Length	Data 1	12
0xAA	0x11		1	1	

- **If you want to control every mechanism connected with Serial Cable regardless of its ID, set ID part to "0xFE" and send commands. At the time, each SET will follow commands but it will not respond with ACK.**

Table 2-1 RS232 Network spec

Bits Rate	9600 bps
Data Bits	8 bits
Parity	None
Stop Bits	1 bit
Flow Control	None

Figure 2-1 RS-232 pin out DB-9 pin used for Asynchronous Data



Pin	Signal	Pin	Signal
1	Data Carrier Detect	6	Data Set Ready
2	Received Data	7	Request to Send
3	Transmitted Data	8	Clear to Send
4	Data Terminal Ready	9	Ring Indicator
5	Signal Ground		

2. Commanding words

No	Command Type	Command	Value Range
1	Status Control	0x00	-
2	Time Control	0x01	-
3	On Time Control	0x02	-
4	Off Time Control	0x03	-
5	Video Control	0x04	-
6	Audio Control	0x05	-
7	RGB Control	0x06	-
8	Maintenance Control	0x08	-
9	Serial Number Control	0x0B	-
10	Display Status Control	0x0D	-
11	Software Version Control	0x0E	-
12	Model Number Control	0x10	-
13	Power Control	0x11	0 ~ 1
14	Volume Control	0x12	0 ~ 100
15	Mute Control	0x13	0 ~ 1
16	Input Source Control	0x14	-
17	Picture sizes Control	0x15	-
18	Direct Channel Control	0x17	-
19	Screen Mode Control	0x18	-
20	Screen Size Control	0x19	0 ~ 255
21	Red Offset Control	0x1A	0 ~ 100
22	Green Offset Control	0x1B	0 ~ 100
23	Blue Offset Control	0x1C	0 ~ 100
24	Contrast Control	0x24	0 ~ 100
25	Brightness Control	0x25	0 ~ 100
26	Sharpness Control	0x26	0 ~ 100
27	Color Control	0x27	0 ~ 100
28	Tint Control	0x28	0 ~ 100
29	Red Gain Control	0x29	0 ~ 100
30	Green Gain Control	0x2A	0 ~ 100

SEC- VD- DSW External Control - 0008

31	Blue Gain Control	0x2B	0 ~ 100
32	Treble Control	0x2C	0 ~ 100
33	Bass Control	0x2D	0 ~ 100
34	Coarse Control	0x2F	0 ~ 1
35	Fine Control	0x30	0 ~ 1
36	H-Position Control	0x31	0 ~ 1
37	V-Position Control	0x32	0 ~ 1
38	Clear Menu Control	0x34	0
39	Remote Control	0x36	0 ~ 1
40	RGB Contrast Control	0x37	0 ~ 100
41	RGB Brightness Control	0x38	0 ~ 100
42	Auto Adjustment Control	0x3D	0
43	Color Tone Control	0x3E	0 ~ 4
44	Color Temperature Control	0x3F	0 ~ 10
45	Pixel Shift Control	0x4C	-
46	Video Wall Control	0x4F	-
47	Auto Lamp Control	0x57	-
48	Manual Lamp Control	0x58	0 ~ 100
49	Safety Screen Run Control	0x59	0 ~ 6
50	Safety Screen Control	0x5B	-
51	Video Wall Mode Control	0x5C	0 ~ 1
52	Safety Lock	0x5D	0 ~ 1
53	Panel Lock	0x5F	0 ~ 1
54	Channel Up/Down	0x61	
55	OSD On/OFF	0x70	0 ~ 1
56	P. Mode Control	0x71	-
57	S. Mode Control	0x72	0 ~ 4
58	NR Mode Set	0x73	0 ~ 1
59	PC Color Tone Control	0x75	0 ~ 3
60	Auto AutoAdjustment	0x76	0 ~ 1
61	All Keys Lock	0x77	0 ~ 1
62	SRS TSXT Control	0x78	0 ~ 1
63	Film Mode	0x79	0 ~ 1
64	Signal Balance	0x7A	0 ~ 1
65	SB Gain	0x7E	0 ~ 100

SEC- VD- DSW External Control - 0008

	SB Red Gain	0x7B	0 ~ 100
	SB Green Gain	0x7C	0 ~ 100
	SB Blue Gain	0x7D	0 ~ 100
66	SB Sharpness	0x7F	0 ~ 100
67	Panel On Time	0x83	-
68	Video Wall On	0x84	0 ~ 1
69	Temperature Control	0x85	0 ~ 125
70	Brightness Sensor	0x86	0 ~ 1
71	Dynamic Contrast	0x87	0 ~ 1
72	Safety Screen On	0x88	1 ~ 5
73	Video Wall User Control	0x89	-
74	Model Name	0x8A	-
75	Timer1 Control	0xA4	-
76	Timer2 Control	0xA5	-
77	Timer3 Control	0xA6	-
78	Clock Control	0xA7	-
79	Holiday Add/Delete Control	0xA8	-
80	Holiday Get Control	0xA9	-
81	Panel On/Off	0xF9	0 ~ 1

"-" indicates multiple setting items—refer to "2.1. Command Detailed Explanation" for more details.

2.1. Command Detailed Explanation

* Status Control

- Function

Personal Computer shows current setting condition of TV / Monitor.

- Get Status

Header	Command	ID	Data Length	Check Sum
0xAA	0x00		0	

- Ack

Header	Command	ID	Data Length	Ack/Nak	r-CMD	Val 1	Val 2
0xAA	0xFF		9	'A'	0x00	Power	Volume
Val 3	Val 4	Val 5	Val 6	Val 7	Check Sum		
Mute	Input	Aspect	N Time NF	F Time NF			

Power : Power code to be set on TV / Monitor

Volume : Volume value code (0 ~ 100) to be set on TV / Monitor

Mute : Mute code to be set on TV / Monitor

Input : Input Source code to be set on TV/Monitor

Aspect : Image Size code to be set on TV/Monitor

N Time NF : OnTime ON/OFF value of time to set TV/Monitor

F Time NF : OffTime ON/OFF value of time to set TV/Monitor

- Nak

Header	Command	ID	Data Length	Ack/Nak	r-CMD	Val 1	Check Sum
0xAA	0xFF		3	'N'	0x00	ERR	

ERR : Error code that shows what occurred error is

0	Check Sum Error
1	etc.

* Time Control

● Function

Personal Computer controls current time of TV / Monitor.

● Get Time Status

Header	Command	ID	Data Length	Check Sum
0xAA	0x01		0	

● Set Time

Header	Command	ID	Data Length	Data 1	Data 2	Data 3	Data 4
0xAA	0x01		5	AP Time	H Time	M Time	0
Data 5	Check Sum						
0							

AP Time : AM/PM value to be set on TV/Monitor

1	AM
0	PM

H Time : Hour value (1 ~ 12) to be set on TV/Monitor

M Time : Minute value (0 ~ 59) to be set on TV/Monitor

● Ack

Header	Command	ID	Data Length	Ack/Nak	r-CMD	Val 1	Val 2
0xAA	0xFF		7	'A'	0x01	AP Time	H Time
Val 3	Val 4	Val 5	Check Sum				
M Time	0	0					

AP Time, H Time, M Time : Same as above

H Time, M Time if current time was not set on Monitor, 0xFF

● Nak

Header	Command	ID	Data Length	Ack/Nak	r-CMD	Val 1	Check Sum
0xAA	0xFF		3	'N'	0x01	ERR	

ERR : Error code that shows what occurred error is

* On Time Control

- Function:

Personal Computer controls the time that TV / Monitor turns on.

- Get On Time Status

Header	Command	ID	Data Length	Check Sum
0xAA	0x02		0	

- Set On Time

Header	Command	ID	Data Length	Data 1	Data 2	Data 3	Data 4
0xAA	0x02		6	N AP Time	N H Time	N M Time	N Time VR
Data 5	Data 6	Check Sum					
N Time NF	N Time SC						

N AP Time : On Time AM/PM value to be set on TV/Monitor

1	AM
0	PM

N H Time : On Time Hour value (1 ~ 12) to be set on TV/Monitor

N M Time : On Time Minute value (0 ~ 59) to be set on TV/Monitor

N Time VR : On Time Volume value (0 ~ 100) to be set on TV/Monitor

N Time NF : On Time ON/OFF value to be set on TV/Monitor

1	On Time ON
0	On Time OFF

N Time SC : On Time ON/OFF Control Source value (refer to *Input Source Control*)

- Ack

Header	Command	ID	Data Length	Ack/Nak	r-CMD	Val 1	Val 2
0xAA	0xFF		8	'A'	0x02	N AP Time	N H Time
Val 3	Val 4	Val 5	Val 6	Check Sum			
N M Time	N Time VR	N Time NF	N Time SC				

N AP Time, N H Time, N M Time, N Time VR, N Time NF, N Time SC : Same as above

N H Time, N M Time if On Time was not set on Monitor, 0xFF

- Nak

Header	Command	ID	Data Length	Ack/Nak	r-CMD	Val 1	Check Sum
0xAA	0xFF		3	'N'	0x02	ERR	

ERR : Error code that shows what occurred error is

* Off Time Control

● Function

Personal Computer controls the time that TV / Monitor turns off.

● Get Off Time Status

Header	Command	ID	Data Length	Check Sum
0xAA	0x03		0	

● Set Off Time

Header	Command	ID	Data Length	Data 1	Data 2	Data 3	Data 4
0xAA	0x03		6	F AP Time	F H Time	F M Time	0
Data 5	Data 6	Check Sum					
F Time NF	0						

F AP Time : Off Time AM/PM value to be set on TV/Monitor

1	AM
0	PM

F H Time : Off Time Hour value (1 ~ 12) to be set on TV/Monitor

F M Time : Off Time Minute value (0 ~ 59) to be set on TV/Monitor

F Time NF : Off Time ON/OFF value to be set on TV/Monitor

1	Off Time ON
0	Off Time OFF

● Ack

Header	Command	ID	Data Length	Ack/Nak	r-CMD	Val 1	Val 2
0xAA	0xFF		8	'A'	0x03	F AP Time	F H Time
Val 3	Val 4	Val 5	Val 6	Check Sum			
F M Time	0	F Time NF	0				

F AP Time, F H Time, F M Time, F Time NF : Same as above
 F H Time, F M Time if Off Time was not set on, 0xFF

● Nak

Header	Command	ID	Data Length	Ack/Nak	r-CMD	Val 1	Check Sum
0xAA	0xFF		3	'N'	0x03	ERR	

ERR : Error code that shows what occurred error is

* Video Control (ATV, DTV, AV, S- Video, Component, HDMI Only)

● Function

Personal Computer shows the screen condition of TV / Monitor.

● Get Video Status

Header	Command	ID	Data Length	Check Sum
0xAA	0x04			0

● Ack

Header	Command	ID	Data Length	Ack/Nak	r-CMD	Val 1	Val 2
0xAA	0xFF			0x0A	'A'	0x04	Contrast
Val 3	Val 4	Val 5	Val 6	Val 7	Val 8	Check Sum	
Sharpness	Color	Tint	ColorTone	ColorTemp	0		

Contrast, Brightness, Sharpness, Color, Tint, ColorTone, ColorTemp :

Same as above

● Nak

Header	Command	ID	Data Length	Ack/Nak	r-CMD	Val 1	Check Sum
0xAA	0xFF			3	'N'	0x04	

ERR : Error code that shows what occurred error is

* Audio Control

● Function

Personal Computer shows the sounds condition of TV / Monitor.

● Get Audio Status

Header	Command	ID	Data Length	Check Sum
0xAA	0x05		0	

● Ack

Header	Command	ID	Data Length	Ack/Nak	r-CMD	Val 1	Val 2
0xAA	0xFF		0x05	'A'	0x05	Treble	Bass
Val 3		Check Sum					
Balance							

Treble, Bass, Balance : Same as above

● Nak

Header	Command	ID	Data Length	Ack/Nak	r-CMD	Val 1	Check Sum
0xAA	0xFF		3	'N'	0x05	ERR	

ERR : Error code that shows what occurred error is

* RGB Control (PC, BNC, DVI Only)

● Function

Personal Computer shows screen condition of TV / Monitor.

● Get Video Status

Header	Command	ID	Data Length	Check Sum
0xAA	0x06		0	

● Ack

Header	Command	ID	Data Length	Ack/Nak	r-CMD	Val 1	Val 2
0xAA	0xFF		0x0A	'A'	0x06	Contrast	Brightness

Val 3	Val 4	Val 5	Val 6	Val 7	Val 8	Check Sum
ColorTone	ColorTemp	0	Red Gain	Green Gain	Blue Gain	

Contrast, Brightness, ColorTone, ColorTemp, Red, Green, Blue : Same as above

● Nak

Header	Command	ID	Data Length	Ack/Nak	r-CMD	Val 1	Check Sum
0xAA	0xFF		3	'N'	0x06	ERR	

ERR : Error code that shows what occurred error is

* Maintenance Control

● Function

Personal Computer shows maintenance state of TV / Monitor.

● Get Maintenance Status

Header	Command	ID	Data Length	Check Sum
0xAA	0x08		0	

● Ack

Header	Command	ID	Data Length	Ack/Nak	r-CMD	Val 1	Val 2
0xAA	0xFF		0x15	'A'	0x08	Power	P.Size
Val 3	Val 4	Val 5	Val 6	Val 7	Val 8	Val 9	Val 10
P.Source	LMax_H	LMax_M	LMax_AP	LMaxValue	LMin_H	LMin_M	LMin_AP
Val 11	Val 12	Val 13	Val 14	Val 15	Val 16		
LMinValue	LampValue	ScreenInterval	ScreenTime	ScreenType	V.Wall		
Val17	Val 18	Val19	Check Sum				
V.WallFormat	V.WallDivid	V.WallSet					

Power : Power code set on TV / Monitor

P.Size : P.Size value code set on TV / Monitor

P.Source : Source value code set on TV / Monitor

LMax_H : Auto Lamp Max Time Hour (1 ~ 12) set on TV / Monitor

LMax_M : Auto Lamp Max Time Minute (0 ~ 59) set on TV / Monitor

LMax_AP : Auto Lamp Max Time AM/PM set on TV / Monitor

LMaxValue : Auto Lamp Max value (0 ~ 100) set on TV / Monitor

LMin_H : Auto Lamp Min Time Hour (1 ~ 12) set on TV / Monitor

LMin_M : Auto Lamp Min Time Minute (0 ~ 59) set on TV / Monitor

LMin_AP : Auto Lamp Min Time AM/PM set on TV / Monitor

LMinValue : Auto Lamp Min value (0 ~ 100, 0xFF) set on TV / Monitor

LampValue : Manual Lamp Control value (0 ~ 100, 0xFF) set on TV / Monitor

ScreenInterval : Safety Screen Interval (Per Hour, 0(Off)~10) set on TV / Monitor

ScreenTime : Safety Screen Time (Per Second, 0(off) ~5) set on TV / Monitor

ScreenType : Safety Screen Type (3 ~ 6) set on TV / Monitor

V.Wall : Video Wall Mode code set on TV / Monitor

V.WallFormat : Video Wall Format code set on TV / Monitor

V.WallDivid : Video Wall Divider code set on TV / Monitor

V.WallSet : Video Wall Set Number code set on TV / Monitor

Caution : If LMinValue is **Returned to 0xFF** then Auto Lamp Control is OFF.

If LampValue is **Returned to 0xFF** then Manual Lamp Control is OFF.

● Nak

Header	Command	ID	Data Length	Ack/Nak	r-CMD	Val 1	Check Sum
0xAA	0xFF		3	'N'	0x08	ERR	

ERR : Error code that shows what occurred error is

* Serial Number Control

- Function
Personal Computer controls serial number of TV / Monitor.
- Get SerialNum Status

Header	Command	ID	Data Length	Check Sum
0xAA	0x0B		0	

- Ack SerialNum

Header	Command	ID	Data Length	Ack/Nak	r-CMD	Val 1	Val 2
0xAA	0xFF		0x14	'A'	0x0B	Data1	Data2
Val 3	Val 4	Val 5	Val 6	Val 7	Val 8	Val 9	Val 10
Data3	Data4	Data5	Data6	Data7	Data8	Data9	Data10
Val 11	Val 12	Val 13	Val 14				
Data11	Data12	Data13	Data14				
Val 11	Val 12	Val 13	Val 14	Check Sum			
Data15	Data16	Data17	Data18				

Data1 ~ Data14 : Serial Number set on TV / Monitor.

Data15 ~ Data18 : Reserved

- Nak

Header	Command	ID	Data Length	Ack/Nak	r-CMD	Val 1	Check Sum
0xAA	0xFF		3	'N'	0x0B	ERR	

ERR : Error code that shows what occurred error is

* Display Status Control

- Function

Personal Computer shows display condition of TV / Monitor.

- Get Maintenance Status

Header	Command	ID	Data Length	Check Sum
0xAA	0x0D		0	

- Ack

Header	Command	ID	Data Length	Ack/Nak	r-CMD	Val 1	Val 2
0xAA	0xFF		0x08	'A'	0x0D	Lamp	Temperature
Val 3	Val 4	Val 5	Val 6	Check Sum			
Bright_Sensor	No_Sync	Cur_Temp	FAN				

Lamp : Lamp Error code (0 : Normal, 1 : Error) to be set on TV / Monitor

Temperature : Temperature Error code (0: Normal, 1: Error) to be set on TV / Monitor

Bright_Sensor : Brighte Sensor Error code (0: Normal, 1: Error) to be set on TV/Monitor

No_Sync: Sync Error code(0: Normal, 1: Error, No Sync) to be set on TV / Monitor

Cur_Temp : Current temperature of TV / Monitor

FAN : Fan Error code (0 : Normal, 1 : Error) to be set on TV / Monitor

- Nak

Header	Command	ID	Data Length	Ack/Nak	r-CMD	Val 1	Check Sum
0xAA	0xFF		3	'N'	0x0D	ERR	

ERR : Error code that shows what occurred error is

* SW Version Control

● Function

Personal Computer shows version information of TV / Monitor.

● Get Version Status

Header	Command	ID	Data Length	Check Sum
0xAA	0x0E		0	

● Ack

Header	Command	ID	Data Length	Ack/Nak	r-CMD	Val 1	Val 2
0xAA	0xFF		0x14	'A'	0x0E	Version1	Version2
Val 3	Val 4	Val 5	Val 6	Val 7	Val 8	Val 9	Val 10
Version3	Version4	Version5	Version6	Version7	Version8	Version9	Version10
Val 11	Val 12	Val 13	Val 14	Val 15	Val 16		
Version11	Version12	Version13	Version14	Version15	Version16		
Val 17	Val 18	Check Sum					
Version17	Version18						

Version1 ~ Version12 : Project Info. of TV/Monitor

Version13 ~ Version18 : Software version of TV/Monitor

● Nak

Header	Command	ID	Data Length	Ack/Nak	r-CMD	Val 1	Check Sum
0xAA	0xFF		3	'N'	0x06	ERR	

ERR : Error code that shows what occurred error is

* Model Number Control

● Function

Personal Computer shows Model Number of TV / Monitor.

● Get Model Number Status

Header	Command	ID	Data Length	Check Sum
0xAA	0x10		0	

● Ack

Header	Command	ID	Data Length	Ack/Nak	r-CMD	Val 1	Val 2	Val 3	Check Sum
0xAA	0xFF		0x05	'A'	0x10	Species	Model	TV	0

Species : TV / Monitor 's Panel Type.

0x01	PDP
0x02	LCD
0x03	DLP

Model : TV / Monitor's Model Number.

0x01	PPM50H2	0x15	SyncMaster 400DX(n)
0x02	PPM42S2		SyncMaster 460DX(n)
0x03	PS-42P2ST		SyncMaster 700DX(n)
0x04	PS-50P2HT		SyncMaster 820DX(n)
0x05	SyncMaster 400T	0x16	SyncMaster 460TX(n)
0x06	SyncMaster 403T	0x17	SyncMaster 400UX(n)
0x07	PPM42S3, SPD-42P3SM		SyncMaster 460UX(n)/460DR(n)
0x08	PPM50H3, SPD-50P3HM	0x18	SyncMaster 42TS/42PS
0x09	PPM63H3, SPD-63P3HM		SyncMaster P42HP
0x0A	PS-42P3ST	0x19	SyncMaster P50Hn
0x0B	SyncMaster 323T	0x1A	SyncMaster P50F(n)/P50FP
0x0C	SyncMaster 403T - CT40CS(N)	0x1B	SyncMaster P63F(n)/P63FP
		0x1C	SyncMaster 320MX(n)
0x0D	PPMxxM5x	0x1D	SyncMaster 400CX(n)
0x0E	SyncMaster 320P(n)		SyncMaster 400MX(n)
	SyncMaster 400P(n)		SyncMaster 400MP(n)
0x10	SyncMaster 320PX	0x20	SyncMaster 460CX(n)
	SyncMaster 400PX(n)	0x21	SyncMaster 460MP(n)
0x13	SyncMaster 400PX(n)	0x22	SyncMaster 520DX(n)
	SyncMaster 400TX(n)		SyncMaster 400UXn-UD
0x14	SyncMaster 400TX(n)	0x23	SyncMaster 460UXn-UD
0x14	SyncMaster 570DX	0x23	SyncMaster 400FX(n)
0x15	SyncMaster 320DX	0x24	SyncMaster 460DRn-A

SEC- VD- DSW External Control

0x25	SyncMaster 460UTn-UD	0x26	SyncMaster 460UT(n)
0x27	SyncMaster 320MX(n)-2/MP-2	0x28	SyncMaster 400MX(n)-2/FP(n)-2
0x29	SyncMaster 460MX(n)-2/FP(n)-2	0x2A	SyncMaster P42H-2
0x2B	SyncMaster P50HP	0x2C	SyncMaster P50FP
0x2D	SyncMaster P63FP	0x2E	SyncMaster 460Rn-S
0x2F	SyncMaster 400DXn-S	0x30	SyncMaster 460DXn-S
0x31	SyncMaster 400CX(n)-2/460CX(n)-2	0x32	SyncMaster 400DX(n)-2/460DX(n)-2/700DX(n)-2/820DX(n)-2
0x33	SyncMaster 400UX(n)-2/SyncMaster 460UX(n)-2	0x34	SyncMaster 700DRn
0x35	SyncMaster 230TSn/230MXn	0x36	SyncMaster 460DMn
0x37	SyncMaster 400UXn-UD2/460UXn-UD2	0x38	SyncMaster P50HP-2
0x39	SyncMaster P63FP-2		

TV : TV / Monitor's TV support/not support.

0x00	TV not supported
0x01	TV supported

- Nak

Header	Command	ID	Data Length	Ack/Nak	r-CMD	Val 1	Check Sum
0xAA	0xFF		3	'N'	0x10	ERR	

ERR : Error code that shows what occurred error is

* Power Control

- Function

Personal Computer turns TV / Monitor power ON/OFF.

- Get Power ON/OFF Status

Header	Command	ID	Data Length	Check Sum
0xAA	0x11		0	

- Set Power ON/OFF

Header	Command	ID	Data Length	Data 1	Check Sum
0xAA	0x11		1	Power	

Power : Power code to be set on TV / Monitor

1	Power ON
0	Power OFF

- Ack

Header	Command	ID	Data Length	Ack/Nak	r-CMD	Val 1	Check Sum
0xAA	0xFF		3	'A'	0x11	Power	

Power : Same as above

- Nak

Header	Command	ID	Data Length	Ack/Nak	r-CMD	Val 1	Check Sum
0xAA	0xFF		3	'N'	0x11	ERR	

ERR : Error code that shows what occurred error is

* Volume Control

- Function

Personal Computer changes volume of TV / Monitor.

- Get Volume Status

Header	Command	ID	Data Length	Check Sum
0xAA	0x12		0	

- Set Volume

Header	Command	ID	Data Length	Data 1	Check Sum
0xAA	0x12		1	Volume	

Volume : Volume value code to be set on TV/Monitor (0 ~ 100)

- Ack

Header	Command	ID	Data Length	Ack/Nak	r-CMD	Val 1	Check Sum
0xAA	0xFF		3	'A'	0x12	Volume	

Volume : Same as above

- Nak

Header	Command	ID	Data Length	Ack/Nak	r-CMD	Val 1	Check Sum
0xAA	0xFF		3	'N'	0x12	ERR	

ERR : Error code that shows what occurred error is

* Mute Control

- Function

Personal Computer turns TV / Monitor mute ON/OFF.

- Get Mute ON/OFF Status

Header	Command	ID	Data Length	Check Sum
0xAA	0x13		0	

- Set Mute ON/OFF

Header	Command	ID	Data Length	Data 1	Check Sum
0xAA	0x13		1	Mute	

Mute : Mute code to be set on TV / Monitor

1	Mute ON
0	Mute OFF

- Ack

Header	Command	ID	Data Length	Ack/Nak	r-CMD	Val 1	Check Sum
0xAA	0xFF		3	'A'	0x13	Mute	

Mute : Same as above

- Nak

Header	Command	ID	Data Length	Ack/Nak	r-CMD	Val 1	Check Sum
0xAA	0xFF		3	'N'	0x13	ERR	

ERR : Error code that shows what occurred error is

* Input Source Control

● Function

Personal Computer changes input source of TV / Monitor.

● Get Input Source Status

Header	Command	ID	Data Length	Check Sum
0xAA	0x14		0	

● Set Input Source

Header	Command	ID	Data Length	Data 1	Check Sum
0xAA	0x14		1	Input	

Input : Input Source code to be set on TV / Monitor

0x14	PC
0x1E	BNC
0x18	DVI
0x0C	AV
0x04	S-Video
0x08	Component
0x20	MagicNet
0x1F	DVL_VIDEO
0x30	RF(TV)
0x40	DTV
0x21	HDMI
0x22	HDML_PC

Caution : **DVL_VIDEO, HDML_PC** → Get Only

In the case of MagicNet, only possible with models include MagicNet.

In the case of TV, only possible with models include TV.

● Ack

Header	Command	ID	Data Length	Ack/Nak	r-CMD	Val 1	Check Sum
0xAA	0xFF		3	'A'	0x14	Input	

Input : Same as above

● Nak

Header	Command	ID	Data Length	Ack/Nak	r-CMD	Val 1	Check Sum
0xAA	0xFF		3	'N'	0x14	ERR	

ERR : Error code that shows what occurred error is

* Picture Size Control

● Function

Personal Computer changes Picture Size of TV / Monitor.

Cannot control when Video Wall is on.

● Get Picture Size Status

Header	Command	ID	Data Length	Check Sum
0xAA	0x15		0	

● Set Picture Size

Header	Command	ID	Data Length	Data 1	Check Sum
0xAA	0x15		1	Aspect	

Aspect : Picture Size code to be set on TV / Monitor

PC1, PC2, DVI, BNC,HDML_PC	
0x10	16 : 9
0x18	4 : 3
AV, S-Video, Component,DVI_Video,HDML_Video	
0x00	Auto Wide
0x01	16 : 9
0x04	Zoom
0x05	Zoom1
0x06	Zoom2
0x09	Just Scan
0x31	Wide Zoom
0x0B	4 : 3
0x0C	Wide Fit

Caution :For some Image, Picture sizes are not supported depending on some input signals (720p, 1080i).

For MFM model only possible for those include Europe TV if size is Auto Wide.

● Ack

Header	Command	ID	Data Length	Ack/Nak	r-CMD	Val 1	Check Sum
0xAA	0xFF		3	'A'	0x15	Aspect	

Aspect : Same as above

● Nak

Header	Command	ID	Data Length	Ack/Nak	r-CMD	Val 1	Check Sum
0xAA	0xFF		3	'N'	0x15	ERR	

ERR : Error code that shows what occurred error is

* Direct Channel Control (DTV)

Caution : Only works with models include TV.

● Function

Personal Computer can control TV Channel.

● Get Channel

Header	Command	ID	Data Length	Check Sum
0xAA	0x17		0	

● Set Channel

Header	Command	ID	Data Length	Data 1	Data 2	Data 3	Data 4
0xAA	0x17		0x0A	Country	ATV_DTV	AirCable	CH_NUM (Hgh)

Data 5	Data 6	Data 7	Data 8	Data 9	Data 10	Check Sum
CH_NUM (Low)	Sel_Minor	Minor_CH (Hgh)	Minor_CH (Low)	Reserved	Reserved	

● Ack

Header	Command	ID	Data Length	Ack/Nak	r-CMD	Val 1	Val 2
0xAA	0xFF		0x0C	'A'	0x17	Country	ATV_DTV
Val 3	Val 4	Val 5	Val 6	Val 7	Val 8	Val 9	
AirCable	CH_NUM (Hgh)	CH_NUM (Low)	Sel_Minor	Minor_CH (Hgh)	Minor_CH (Low)	Reserved	
Val 10	Check Sum						
Reserved							

Country : Select the country to be set on TV / Monitor (0 : Korea, 1: USA,)

ATV_DTV : Select Analog TV and DTV to be set on TV / Monitor (0 : Analog TV, 1: Digital TV)

AirCable : Select if TV is cabled or general (0 : general, 1: cabled)

CH_NUM : TV channel number to be set on TV / Monitor (Analog TV : 1 ~ 135 , Digital TV : 0 ~ 999)

Sel_Minor : Select minor channel when DTV is to be set on TV / Monitor(0 : minor channel not selected. 1: minor channel selected.)

Minor_CH : Select minor channel number when DTV is to be set on TV / Monitor (0 ~ 999.)

● Nak

Header	Command	ID	Data Length	Ack/Nak	r-CMD	Val 1	Check
--------	---------	----	-------------	---------	-------	-------	-------

SEC- VD- DSW External Control

0xAA	0xFF		3	'N'	0x17	ERR	Sum
------	------	--	---	-----	------	------------	-----

ERR : Error code that shows what occurred error is

*** Screen Mode Control**

● Function

Personal Computer changes screen mode of TV

Cannot control when Video Wall is on and only operates when Picture Size is Auto Wide.

Caution : Only works with models include TV.

● Get Screen Mode Status

Header	Command	ID	Data Length	Check Sum
0xAA	0x18		0	

● Set Picture Size

Header	Command	ID	Data Length	Data 1	Check Sum
0xAA	0x18		1	ScrMode	

ScrMode : Screen Mode Code to be set on TV / Monitor

0x01	16 : 9
0x04	Zoom
0x31	Wide Zoom
0x0B	4 : 3

● Ack

Header	Command	ID	Data Length	Ack/Nak	r-CMD	Val 1	Check Sum
0xAA	0xFF		3	'A'	0x18	ScrMode	

ScrMode : Same as above

● Nak

Header	Command	ID	Data Length	Ack/Nak	r-CMD	Val 1	Check Sum
0xAA	0xFF		3	'N'	0x18	ERR	

ERR : Error code that shows what occurred error is

* **Screen Size Control**

- Function

Personal Computer recognizes the screen size of TV / Monitor.

- Get Screen Size Status

Header	Command	ID	Data Length	Check Sum
0xAA	0x19		0	

- Ack

Header	Command	ID	Data Length	Ack/Nak	r-CMD	Val 1	Check Sum
0xAA	0xFF		3	'A'	0x19	Screen Size	

Screen Size : Screen size of TV / Monitor (Range: 0 ~ 255, Unit: Inch)

- Nak

Header	Command	ID	Data Length	Ack/Nak	r-CMD	Val 1	Check Sum
0xAA	0xFF		3	'N'	0x19	ERR	

ERR : Error code that shows what occurred error is

* **Red Offset Control**

● Function

Personal Computer changes R Offset from Signal Control function of TV / Monitor.

※ Signal Control R Offset Control only operates when Signal Balance is on and current input source is PC and BNC.

● Get Signal Control R Offset Status

Header	Command	ID	Data Length	Check Sum
0xAA	0x1A		0	

● Set Signal Control R Gain

Header	Command	ID	Data Length	Data 1	Check Sum
0xAA	0x1A		1	R Offset	

R Offset : R Gain value to be set on TV/Monitor (0 ~ 100)

● Ack

Header	Command	ID	Data Length	Ack/Nak	r-CMD	Val 1	Check Sum
0xAA	0xFF		3	'A'	0x1A	R Offset	

R Offset : Same as above

● Nak

Header	Command	ID	Data Length	Ack/Nak	r-CMD	Val 1	Check Sum
0xAA	0xFF		3	'N'	0x1A	ERR	

ERR : Error code that shows what occurred error is

* **Green Offset Control**

● Function

Personal Computer changes G Offset from Signal Control function of TV / Monitor.

※ Signal Control G Offset Control only operates when Signal Balance is on and current input source is PC and BNC.

● Get Signal Control G Offset Status

Header	Command	ID	Data Length	Check Sum
0xAA	0x1B		0	

● Set Signal Control G Gain

Header	Command	ID	Data Length	Data 1	Check Sum
0xAA	0x1B		1	G Offset	

G Offset : G Offset value to be set on TV/Monitor (0 ~ 100)

● Ack

Header	Command	ID	Data Length	Ack/Nak	r-CMD	Val 1	Check Sum
0xAA	0xFF		3	'A'	0x1B	G Offset	

G Offset : Same as above

● Nak

Header	Command	ID	Data Length	Ack/Nak	r-CMD	Val 1	Check Sum
0xAA	0xFF		3	'N'	0x1B	ERR	

ERR : Error code that shows what occurred error is

* **Blue Offset Control**

● Function

Personal Computer changes B Offset from Signal Control function of TV / Monitor.

※ Signal Control B Offset Control only operates when Signal Balance is on and current input source is PC and BNC.

● Get Signal Control B Offset Status

Header	Command	ID	Data Length	Check Sum
0xAA	0x1C		0	

● Set Signal Control B Offset

Header	Command	ID	Data Length	Data 1	Check Sum
0xAA	0x1C		1	B Offset	

B Offset : B Offset value to be set on TV/Monitor (0 ~ 100)

● Ack

Header	Command	ID	Data Length	Ack/Nak	r-CMD	Val 1	Check Sum
0xAA	0xFF		3	'A'	0x1C	B Offset	

B Offset : Same as above

● Nak

Header	Command	ID	Data Length	Ack/Nak	r-CMD	Val 1	Check Sum
0xAA	0xFF		3	'N'	0x1C	ERR	

ERR : Error code that shows what occurred error is

* Contrast Control (ATV, DTV, AV, S- Video, Component, HDMI Only)

● Function

Personal Computer changes contrast of TV / Monitor.

● Get Contrast Status

Header	Command	ID	Data Length	Check Sum
0xAA	0x24		0	

● Set Contrast

Header	Command	ID	Data Length	Data 1	Check Sum
0xAA	0x24		1	Contrast	

Contrast : Contrast value code to be set on TV/Monitor (0 ~ 100)

● Ack

Header	Command	ID	Data Length	Ack/Nak	r-CMD	Val 1	Check Sum
0xAA	0xFF		3	'A'	0x24	Contrast	

Contrast : Same as above

● Nak

Header	Command	ID	Data Length	Ack/Nak	r-CMD	Val 1	Check Sum
0xAA	0xFF		3	'N'	0x24	ERR	

ERR : Error code that shows what occurred error is

* **Brightness Control (ATV, DTV, AV, S- Video, Component, HDMI Only)**

● Function

Personal Computer changes brightness of TV / Monitor.

● Get Brightness Status

Header	Command	ID	Data Length	Check Sum
0xAA	0x25		0	

● Set Brightness

Header	Command	ID	Data Length	Data 1	Check Sum
0xAA	0x25		1	Brightness	

Brightness : Brightness value code to be set on TV/Monitor (0 ~ 100)

● Ack

Header	Command	ID	Data Length	Ack/Nak	r-CMD	Val 1	Check Sum
0xAA	0xFF		3	'A'	0x25	Brightness	

Brightness : Same as above

● Nak

Header	Command	ID	Data Length	Ack/Nak	r-CMD	Val 1	Check Sum
0xAA	0xFF		3	'N'	0x25	ERR	

ERR : Error code that shows what occurred error is

* Sharpness Control (ATV, DTV, AV, S- Video, Component, HDMI Only)

● Function

Personal Computer changes sharpness of TV / Monitor.

● Get Sharpness Status

Header	Command	ID	Data Length	Check Sum
0xAA	0x26		0	

● Set Sharpness

Header	Command	ID	Data Length	Data 1	Check Sum
0xAA	0x26		1	Sharpness	

Sharpness : Sharpness value code to be set on TV/Monitor (0 ~ 100)

Caution : Increment level depends on the model's specification.

● Ack

Header	Command	ID	Data Length	Ack/Nak	r-CMD	Val 1	Check Sum
0xAA	0xFF		3	'A'	0x26	Sharpness	

Sharpness : Same as above

● Nak

Header	Command	ID	Data Length	Ack/Nak	r-CMD	Val 1	Check Sum
0xAA	0xFF		3	'N'	0x26	ERR	

ERR : Error code that shows what occurred error is

* Color Control (ATV, DTV, AV, S- Video, Component, HDMI Only)

● Function

Personal Computer changes the color of TV / Monitor.

● Get Color Status

Header	Command	ID	Data Length	Check Sum
0xAA	0x27		0	

● Set Color

Header	Command	ID	Data Length	Data 1	Check Sum
0xAA	0x27		1	Color	

Color : Color value code to be set on TV/Monitor(0 ~ 100)

● Ack

Header	Command	ID	Data Length	Ack/Nak	r-CMD	Val 1	Check Sum
0xAA	0xFF		3	'A'	0x27	Color	

Color : Same as above

● Nak

Header	Command	ID	Data Length	Ack/Nak	r-CMD	Val 1	Check Sum
0xAA	0xFF		3	'N'	0x27	ERR	

ERR : Error code that shows what occurred error is

* Tint Control (ATV, DTV, AV, S- Video, Component, HDMI Only)

● Function

Personal Computer changes tint of TV / Monitor when visual display is NTSC.
 Does not operate with PAL signals.

● Get Tint Status

Header	Command	ID	Data Length	Check Sum
0xAA	0x28		0	

● Set Tint

Header	Command	ID	Data Length	Data 1	Check Sum
0xAA	0x28		1	Tint	

Tint : Tint value code to be set on TV/Monitor (0 ~ 100)

R	Tint Value
G	(100 - Tint) Value

● Ack

Header	Command	ID	Data Length	Ack/Nak	r-CMD	Val 1	Check Sum
0xAA	0xFF		3	'A'	0x28	Tint	

Tint : Same as above

● Nak

Header	Command	ID	Data Length	Ack/Nak	r-CMD	Val 1	Check Sum
0xAA	0xFF		3	'N'	0x28	ERR	

ERR : Error code that shows what occurred error is

* Red Gain Control

● Function

Personal Computer changes Red Gain of TV / Monitor.

● Get Red Gain Status

Header	Command	ID	Data Length	Check Sum
0xAA	0x29		0	

● Set Red Gain

Header	Command	ID	Data Length	Data 1	Check Sum
0xAA	0x29		1	Red	

Red : Red Gain value code to be set on TV/Monitor (0 ~ 100)

● Ack

Header	Command	ID	Data Length	Ack/Nak	r-CMD	Val 1	Check Sum
0xAA	0xFF		3	'A'	0x29	Red	

Red : Same as above

● Nak

Header	Command	ID	Data Length	Ack/Nak	r-CMD	Val 1	Check Sum
0xAA	0xFF		3	'N'	0x29	ERR	

ERR : Error code that shows what occurred error is

* Green Gain Control

● Function

Personal Computer changes Green Gain of TV / Monitor.

● Get Green Gain Status

Header	Command	ID	Data Length	Check Sum
0xAA	0x2A		0	

● Set Green Gain

Header	Command	ID	Data Length	Data 1	Check Sum
0xAA	0x2A		1	Green	

Green : Green Gain value code to be set on TV/Monitor (0 ~ 100)

● Ack

Header	Command	ID	Data Length	Ack/Nak	r-CMD	Val 1	Check Sum
0xAA	0xFF		3	'A'	0x2A	Green	

Green : Same as above

● Nak

Header	Command	ID	Data Length	Ack/Nak	r-CMD	Val 1	Check Sum
0xAA	0xFF		3	'N'	0x2A	ERR	

ERR : Error code that shows what occurred error is

* **Blue Gain Control**

● **Function**

Personal Computer changes Blue Gain of TV / Monitor.

● **Get Blue Gain Status**

Header	Command	ID	Data Length	Check Sum
0xAA	0x2B		0	

● **Set Blue Gain**

Header	Command	ID	Data Length	Data 1	Check Sum
0xAA	0x2B		1	Blue	

Blue : Blue Gain value code to be set on TV/Monitor (0 ~ 100)

● **Ack**

Header	Command	ID	Data Length	Ack/Nak	r-CMD	Val 1	Check Sum
0xAA	0xFF		3	'A'	0x2B	Blue	

Blue : Same as above

● **Nak**

Header	Command	ID	Data Length	Ack/Nak	r-CMD	Val 1	Check Sum
0xAA	0xFF		3	'N'	0x2B	ERR	

ERR : Error code that shows what occurred error is

* Treble Control

● Function

Personal Computer changes Treble of TV / Monitor.

● Get Treble Status

Header	Command	ID	Data Length	Check Sum
0xAA	0x2C		0	

● Set Treble

Header	Command	ID	Data Length	Data 1	Check Sum
0xAA	0x2C		1	Treble	

Treble : Treble value code to be set on TV/Monitor (0 ~ 100)

● Ack

Header	Command	ID	Data Length	Ack/Nak	r-CMD	Val 1	Check Sum
0xAA	0xFF		3	'A'	0x2C	Treble	

Treble : Same as above

● Nak

Header	Command	ID	Data Length	Ack/Nak	r-CMD	Val 1	Check Sum
0xAA	0xFF		3	'N'	0x2C	ERR	

ERR : Error code that shows what occurred error is

* Bass Control

● Function

Personal Computer changes Bass of TV / Monitor.

● Get Bass Status

Header	Command	ID	Data Length	Check Sum
0xAA	0x2D		0	

● Set Bass

Header	Command	ID	Data Length	Data 1	Check Sum
0xAA	0x2D		1	Bass	

Bass : Bass value code (0 ~ 100)

● Ack

Header	Command	ID	Data Length	Ack/Nak	r-CMD	Val 1	Check Sum
0xAA	0xFF		3	'A'	0x2D	Bass	

Bass : Same as above

● Nak

Header	Command	ID	Data Length	Ack/Nak	r-CMD	Val 1	Check Sum
0xAA	0xFF		3	'N'	0x2D	ERR	

ERR : Error code that shows what occurred error is

* **Balance Control**

● **Function**

Personal Computer changes Balance of TV / Monitor.

● **Get Balance Status**

Header	Command	ID	Data Length	Check Sum
0xAA	0x2E		0	

● **Set Balance**

Header	Command	ID	Data Length	Data 1	Check Sum
0xAA	0x2E		1	Balance	

Balance : Balance value code to be set on TV/Monitor (0 ~ 100)

L	(100 - Balance) Value
R	Balance Value

● **Ack**

Header	Command	ID	Data Length	Ack/Nak	r-CMD	Val 1	Check Sum
0xAA	0xFF		3	'A'	0x2E	Balance	

Balance : Same as above

● **Nak**

Header	Command	ID	Data Length	Ack/Nak	r-CMD	Val 1	Check Sum
0xAA	0xFF		3	'N'	0x2E	ERR	

ERR : Error code that shows what occurred error is

* Coarse Control (**PC, BNC Only**)

● Function

Personal Computer adjusts Coarse of TV / Monitor.

● Get Coarse Status

None

● Set Coarse

Header	Command	ID	Data Length	Data 1	Check Sum
0xAA	0x2F		1	Coarse	

Coarse : Coarse Increase/Decrease code to be set on TV/Monitor

1	Increase
0	Decrease

● Ack

Header	Command	ID	Data Length	Ack/Nak	r-CMD	Val 1	Check Sum
0xAA	0xFF		3	'A'	0x2F	Coarse	

Coarse : Same as above

● Nak

Header	Command	ID	Data Length	Ack/Nak	r-CMD	Val 1	Check Sum
0xAA	0xFF		3	'N'	0x2F	ERR	

ERR : Error code that shows what occurred error is

* Fine Control (PC, BNC Only)

- Function
Personal Computer adjusts Fine of TV / Monitor.
- Get Fine Status
None
- Set Fine

Header	Command	ID	Data Length	Data 1	Check Sum
0xAA	0x30		1	Fine	

Fine : Phase Increase/Decrease code

1	Increase
0	Decrease

- Ack

Header	Command	ID	Data Length	Ack/Nak	r-CMD	Val 1	Check Sum
0xAA	0xFF		3	'A'	0x30	Fine	

Fine : Same as above

- Nak

Header	Command	ID	Data Length	Ack/Nak	r-CMD	Val 1	Check Sum
0xAA	0xFF		3	'N'	0x30	ERR	

ERR : Error code that shows what occurred error is

* H- Position Control (**PC, BNC Only**)

- Function

Personal Computer adjusts Horizontal Position of TV / Monitor.

- Get H-Position Status

None

- Set H-Position

Header	Command	ID	Data Length	Data 1	Check Sum
0xAA	0x31		1	H-Pos	

H-Pos : H-Position Increase/Decrease code to be set on TV/Monitor

1	Move to Right
0	Move to Left

- Ack

Header	Command	ID	Data Length	Ack/Nak	r-CMD	Val 1	Check Sum
0xAA	0xFF		3	'A'	0x31	H-Pos	

H-Pos : Same as above

- Nak

Header	Command	ID	Data Length	Ack/Nak	r-CMD	Val 1	Check Sum
0xAA	0xFF		3	'N'	0x31	ERR	

ERR : Error code that shows what occurred error is

* V- Position Control (**PC, BNC Only**)

- Function

Personal Computer adjusts Vertical Position of TV/Monitor.

- Get V-Position Status

None

- Set V-Position

Header	Command	ID	Data Length	Data 1	Check Sum
0xAA	0x32		1	V-Pos	

V-Pos : V-Position Increase/Decrease code to be set on TV/Monitor

1	Move Down
0	Move Up

- Ack

Header	Command	ID	Data Length	Ack/Nak	r-CMD	Val 1	Check Sum
0xAA	0xFF		3	'A'	0x32	V-Pos	

V-Pos : Same as above

- Nak

Header	Command	ID	Data Length	Ack/Nak	r-CMD	Val 1	Check Sum
0xAA	0xFF		3	'N'	0x32	ERR	

ERR : Error code that shows what occurred error is

* Clear Menu Control

- Function

Personal Computer removes Menu OSD left in TV / Monitor.

- Get Clear Menu Status

None

- Set Clear Menu

Header	Command	ID	Data Length	Data 1	Check Sum
0xAA	0x34		1	Clear	

Clear : 0x00 (Always)

- Ack

Header	Command	ID	Data Length	Ack/Nak	r-CMD	Val 1	Check Sum
0xAA	0xFF		3	'A'	0x34	Clear	

- Nak

Header	Command	ID	Data Length	Ack/Nak	r-CMD	Val 1	Check Sum
0xAA	0xFF		3	'N'	0x34	ERR	

ERR : Error code that shows what occurred error is

* Remote Control

● Function

Personal Computer enables/disables IR receiving function of TV/Monitor/

Can operate regardless of whether power is ON/OFF

● Get Remote Status

Header	Command	ID	Data Length	Check Sum
0xAA	0x36		0	

● Set Remote Enable/Disable

Header	Command	ID	Data Length	Data 1	Check Sum
0xAA	0x36		1	RMC	

RMC : Power code to be set on TV/Remocon

1	Remocon Enable
0	Remocon Disable

● Ack

Header	Command	ID	Data Length	Ack/Nak	r-CMD	Val 1	Check Sum
0xAA	0xFF		3	'A'	0x36	RMC	

RMC : Same as above

● Nak

Header	Command	ID	Data Length	Ack/Nak	r-CMD	Val 1	Check Sum
0xAA	0xFF		3	'N'	0x36	ERR	

ERR : Error code that shows what occurred error is

* RGB Contrast Control (**PC, BNC, DVI Only**)

● Function

Personal Computer changes contrast of TV / Monitor when Input Source is PC.

● Get Contrast Status

Header	Command	ID	Data Length	Check Sum
0xAA	0x37		0	

● Set Contrast

Header	Command	ID	Data Length	Data 1	Check Sum
0xAA	0x37		1	Contrast	

Contrast : RGB Contrast value code to be set on TV/Monitor (0 ~ 100)

● Ack

Header	Command	ID	Data Length	Ack/Nak	r-CMD	Val 1	Check Sum
0xAA	0xFF		3	'A'	0x37	Contrast	

Contrast : Same as above

● Nak

Header	Command	ID	Data Length	Ack/Nak	r-CMD	Val 1	Check Sum
0xAA	0xFF		3	'N'	0x37	ERR	

ERR : Error code that shows what occurred error is

* RGB Brightness Control (PC, BNC, DVI Only)

● Function

Personal Computer changes Brightness when Input Source of TV / Monitor is PC.

● Get Brightness Status

Header	Command	ID	Data Length	Check Sum
0xAA	0x38		0	

● Set Brightness

Header	Command	ID	Data Length	Data 1	Check Sum
0xAA	0x38		1	Brightness	

Brightness : RGB Brightness value code to be set on TV/Monitor (0 ~ 100)

● Ack

Header	Command	ID	Data Length	Ack/Nak	r-CMD	Val 1	Check Sum
0xAA	0xFF		3	'A'	0x38	Brightness	

Brightness : Same as above

● Nak

Header	Command	ID	Data Length	Ack/Nak	r-CMD	Val 1	Check Sum
0xAA	0xFF		3	'N'	0x38	ERR	

ERR : Error code that shows what occurred error is

* Auto Adjustment Control (PC, BNC Only)

- Function

Personal Computer controls PC system screen automatically.

- Get Auto Adjustment Status

None

- Set Auto Adjustment

Header	Command	ID	Data Length	Data 1	Check Sum
0xAA	0x3D		1	Auto	

Auto : 0x00 (Always)

- Ack

Header	Command	ID	Data Length	Ack/Nak	r-CMD	Val 1	Check Sum
0xAA	0xFF		3	'A'	0x3D	Auto	

- Nak

Header	Command	ID	Data Length	Ack/Nak	r-CMD	Val 1	Check Sum
0xAA	0xFF		3	'N'	0x3D	ERR	

ERR : Error code that shows what occurred error is

* Color Tone Control (ATV, DTV, AV, S- Video, Component, HDMI Only)

● Function

Personal Computer changes Color Tone of TV / Monitor.

● Get Color Tone Status

Header	Command	ID	Data Length	Check Sum
0xAA	0x3E		0	

● Set Color Tone

Header	Command	ID	Data Length	Data 1	Check Sum
0xAA	0x3E		1	Color Tone	

Color Tone : Color Tone value code to be set on TV/Monitor (0 ~ 4)

0x00	Cool 2
0x01	Cool 1
0x02	Normal
0x03	Warm 1
0x04	Warm 2
0x50	Off

● Ack

Header	Command	ID	Data Length	Ack/Nak	r-CMD	Val 1	Check Sum
0xAA	0xFF		3	'A'	0x3E	Color Tone	

Brightness : Same as above

● Nak

Header	Command	ID	Data Length	Ack/Nak	r-CMD	Val 1	Check Sum
0xAA	0xFF		3	'N'	0x3E	ERR	

ERR : Error code that shows what occurred error is

* Color Temperature Control

● Function

Personal Computer changes Color Temperature value of TV / Monitor.

Only operates when Color Tone is set to Off.

● Get C_Temp Status

Header	Command	ID	Data Length	Check Sum
0xAA	0x3F		0	

● Set C_Temp

Header	Command	ID	Data Length	Data 1	Check Sum
0xAA	0x3F		1	C_Temp	

C_Temp : Color Temperature value code to be set on TV/Monitor (0 ~ 10)

● Ack

Header	Command	ID	Data Length	Ack/Nak	r-CMD	Val 1	Check Sum
0xAA	0xFF		3	'A'	0x3F	C_Temp	

C_Temp : Same as above

● Nak

Header	Command	ID	Data Length	Ack/Nak	r-CMD	Val 1	Check Sum
0xAA	0xFF		3	'N'	0x3F	ERR	

ERR : Error code that shows what occurred error is

* Pixel Shift Control

● Function

Personal Computer controls Pixel Shift function of TV / Monitor.

Cannot control when Video Wall is on or when Zoom(0x39) is set or when Input Signal is VESA Mode in DVI.

● Get Pixel Shift Status

Header	Command	ID	Data Length	Check Sum
0xAA	0x4C		0	

● Set Pixel Shift

Header	Command	ID	Data Length	Data 1	Data 2	Data 3	Data 4
0xAA	0x4C		0x04	Shift	H.Dot	V.Line	S.Time
Check Sum							

Shift : Pixel Shift On/Off Code to be set on TV/Monitor

Caution : If **Shift** value is off, **H.Dot**, **V.Line**, **S.Time** values are ignored in TV / Monitor.

1	ON
0	OFF

H.Dot : Horizontal Dot value code set on TV/Monitor (0 ~ 4)

V.Line : Vertical Line value code set on TV/Monitor (0 ~ 4)

S.Time : Shift Time value code set on TV/Monitor (1 ~ 4)

● Ack

Header	Command	ID	Data Length	Ack/Nak	r-CMD	Val 1	Val 2
0xAA	0xFF		0x06	'A'	0x4C	Shift	H.Dot
Val 3	Val 4	Check Sum					
V.Line	S.Time						

Shift, **H.Dot**, **V.Line**, **S.Time** : Same as above

● Nak

Header	Command	ID	Data Length	Ack/Nak	r-CMD	Val 1	Check Sum
0xAA	0xFF		3	'N'	0x4C	ERR	

ERR : Error code that shows what occurred error is

* Auto Lamp Control

● Function

Personal Computer sets Auto Lamp Function of TV / Monitor.

When Manual Lamp Control is on, Auto Lamp Control will automatically turn off.

● Get Auto Lamp

Header	Command	ID	Data Length	Check Sum
0xAA	0x57		0	

● Set Auto Lamp

Header	Command	ID	Data Length	Data 1	Data 2	Data 3	Data 4
0xAA	0x57		8	LMax_H	LMax_M	LMax_AP	LMaxValue
Data 5	Data 6	Data 7	Data 8	Check Sum			
LMin_H	LMin_M	LMin_AP	LMinValue				

● Ack

Header	Command	ID	Data Length	Ack/Nak	r-CMD	Val 1	Val 2
0xAA	0xFF		0x0A	'A'	0x57	LMax_H	LMax_M
Val 3	Val 4	Val 5	Val 6	Val 7	Val 8	Check Sum	
LMax_AP	LMaxValue	LMin_H	LMin_M	LMin_AP	LMinValue		

LMax_H : Auto Lamp Max Time Hour set on TV/Monitor (1 ~ 12)

LMax_M : Auto Lamp Max Time Minute set on TV/Monitor (0 ~ 59)

LMax_AP : Auto Lamp Max Time set on TV/Monitor AM/PM

LMaxValue : Auto Lamp Max Value set on TV/Monitor (0 ~ 100)

LMin_H : Auto Lamp Min Time Hour set on TV/Monitor (1 ~ 12)

LMin_M : Auto Lamp Min Time Minute set on TV/Monitor (0 ~ 59)

LMin_AP : Auto Lamp Min Time set on TV/Monitor AM/PM

LMinValue : Auto Lamp Min Value set on TV/Monitor (0 ~ 100)

Caution: When LMinValue is **Returned** to **0xFF**, Auto Lamp Control is off.

When Dynamic contrast is on, Auto Lamp Control does not operate.

● Nak

Header	Command	ID	Data Length	Ack/Nak	r-CMD	Val 1	Check Sum
0xAA	0xFF		3	'N'	0x57	ERR	

ERR : Error code that shows what occurred error is

* Manual Lamp Control

● Function

Personal Computer sets Manual Lamp Function of TV / Monitor.

When Auto Lamp Control is on, Manual Lamp Control will automatically turn off.

● Get Manual Lamp Status

Header	Command	ID	Data Length	Check Sum
0xAA	0x58		0	

● Set Manual Lamp

Header	Command	ID	Data Length	Data 1	Check Sum
0xAA	0x58		1	LampValue	

LampValue : Manual Lamp value to be set on TV/Monitor (0 ~ 100)

● Ack

Header	Command	ID	Data Length	Ack/Nak	r-CMD	Val 1	Check Sum
0xAA	0xFF		3	'A'	0x58	LampValue	

LampValue : Same as above

Caution : When LampValue is **Returned** to **0xFF**, Manual Lamp Control is off.

When Dynamic contrast is on, Manual Lamp Control does not operate.

● Nak

Header	Command	ID	Data Length	Ack/Nak	r-CMD	Val 1	Check Sum
0xAA	0xFF		3	'N'	0x58	ERR	

ERR : Error code that shows what occurred error is

* Safety Screen Run Control

● Function

Personal Computer will make Safety Screen function to operate immediately, not by Timer operation.

● Get Safety Screen Run Status

Header	Command	ID	Data Length	Check Sum
0xAA	0x59		0	

● Set Safety Screen Run

Header	Command	ID	Data Length	Data 1	Check Sum
0xAA	0x59		1	Safety Screen Type	

Safety Screen Type : Safety Screen Type to be set on TV/Monitor (1~6)

0	Off
1	Signal Pattern
2	All White
3	Scroll
4	Bar
6	Eraser

Caution : 1, 2 only works with PDP models

● Ack

Header	Command	ID	Data Length	Ack/Nak	r-CMD	Val 1	Check Sum
0xAA	0xFF		3	'A'	0x59	Safety Screen Type	

Safety Screen Type : Same as above

● Nak

Header	Command	ID	Data Length	Ack/Nak	r-CMD	Val 1	Check Sum
0xAA	0xFF		3	'N'	0x59	ERR	

ERR : Error code that shows what occurred error is

* SBP Timer Control (TV)

● Function

Personal Computer sets Screen Burn Protection Timer of TV/Monitor.

● Get SBP Timer Status

Header	Command	ID	Data Length	Check Sum
0xAA	0x5B		0	

● Set SBP Timer

Header	Command	ID	Data Length	Data 1	Data 2	Data 3	Check Sum
0xAA	0x5B		3	Timer	T.Period	T.Time	

Timer : SBP Timer code to be set on TV/Monitor

0	Off
1	Signal Pattern
2	All White
3	Scroll
4	Bar
6	Eraser

Caution : 1, 2 only works with PDP models

T.Period : SBP Timer Period value code to be set on TV/Monitor (1~24 Hr.)

T.Time : SBP Timer Time value code set on TV/Monitor (1~30 min.)

● Ack

Header	Command	ID	Data Length	Ack/Nak	r-CMD	Val 1	Val 2
0xAA	0xFF		5	'A'	0x5B	Timer	T.Period

Val 3	Check Sum
T.Time	

Timer, T.Period, T.Time : Same as above

● Nak

Header	Command	ID	Data Length	Ack/Nak	r-CMD	Val 1	Check Sum
0xAA	0xFF		3	'N'	0x5B	ERR	

ERR : Error code that shows what occurred error is

* Video Wall Mode Control

● Function

Personal Computer converts Video Wall Mode of TV / Monitor when Video Wall is ON.

Only works with TV/Monitor where Video Wall is on.

Does not operate in MagicNet.

● Get Video Wall Mode

Header	Command	ID	Data Length	Check Sum
0xAA	0x5C		0	

● Set Video Wall Mode

Header	Command	ID	Data Length	Data 1	Check Sum
0xAA	0x5C		1	WallMode	

WallMode : Video Wall Mode code to be set on TV/Monitor

1	Full
0	Natural

● Ack

Header	Command	ID	Data Length	Ack/Nak	r-CMD	Val 1	Check Sum
0xAA	0xFF		3	'A'	0x5C	WallMode	

WallMode : same as above

● Nak

Header	Command	ID	Data Length	Ack/Nak	r-CMD	Val 1	Check Sum
0xAA	0xFF		3	'N'	0x5C	ERR	

ERR : Error code that shows what occurred error is

* Safety Lock

● Function

Personal Computer turns Safety Lock function of TV/Monitor On/Off.

Can operate regardless of whether power is on/off.

● Get Safety Lock Status

Header	Command	ID	Data Length	Check Sum
0xAA	0x5D		0	

● Set Safety Lock Enable/Disable

Header	Command	ID	Data Length	Data 1	Check Sum
0xAA	0x5D		1	Lock	

Lock : Lock code to be set on TV/Monitor

1	On
0	Off

● Ack

Header	Command	ID	Data Length	Ack/Nak	r-CMD	Val 1	Check Sum
0xAA	0xFF		3	'A'	0x5D	Lock	

Lock : Same as above

● Nak

Header	Command	ID	Data Length	Ack/Nak	r-CMD	Val 1	Check Sum
0xAA	0xFF		3	'N'	0x5D	Lock	

ERR : Error code that shows what occurred error is

* Panel Lock

● Function

Personal Computer turns Panel function Key Lock of TV/Monitor On/OFF.

Can operate regardless of whether power is on/off.

● Get Panel Lock Status

Header	Command	ID	Data Length	Check Sum
0xAA	0x5F		0	

● Set Panel Lock

Header	Command	ID	Data Length	Data 1	Check Sum
0xAA	0x5F		1	Panel Lock	

Panel Lock : Panel Key Lock On/Off code to be set on TV/Monitor

1	Lock
0	Unlock

● Ack

Header	Command	ID	Data Length	Ack/Nak	r-CMD	Val 1	Check Sum
0xAA	0xFF		3	'A'	0x5F	Panel Lock	

Panel Lock : Same as above

● Nak

Header	Command	ID	Data Length	Ack/Nak	r-CMD	Val 1	Check Sum
0xAA	0xFF		3	'N'	0x5F	ERR	

ERR : Error code that shows what occurred error is

* Channel Up/Down

- Function

Caution : Only works with models include TV.

Personal Computer can control TV Channel.

- Set TV Channel Up/Down

Header	Command	ID	Data Length	Data 1	Check Sum
0xAA	0x61		1	Channel Up/Down	

Channel Up/Down: Channel UP or Down to be set on TV / Monitor (0~1)

0	Up
1	Down

- Ack

Header	Command	ID	Data Length	Ack/Nak	r-CMD	Val 1	Check Sum
0xAA	0xFF		3	'A'	0x61	Channel Up/Down	

Channel Up/Down : Same as above

- Nak

Header	Command	ID	Data Length	Ack/Nak	r-CMD	Val 1	Check Sum
0xAA	0xFF		3	'N'	0x61	ERR	

ERR : Error code that shows what occurred error is

* OSD On/Off

● Function

Personal Computer turns OSD of TV / Monitor On/Off.

When OSD is on, OSD will be shown on screen

When OSD is off, OSD will not shown on screen at all

● Get OSD Enable Status

Header	Command	ID	Data Length	Check Sum
0xAA	0x70		0	

● Set OSD Enable/Disable

Header	Command	ID	Data Length	Data 1	Check Sum
0xAA	0x70		1	OSD	

OSD : OSD On/Off code to be set on TV/Monitor

1	OSD On
0	OSD Off

● Ack

Header	Command	ID	Data Length	Ack/Nak	r-CMD	Val 1	Check Sum
0xAA	0xFF		3	'A'	0x70	OSD	

OSD : Same as above

● Nak

Header	Command	ID	Data Length	Ack/Nak	r-CMD	Val 1	Check Sum
0xAA	0xFF		3	'N'	0x70	ERR	

ERR : Error code that shows what occurred error is

* P.Mode Control

● Function

Personal Computer changes Picture Mode of TV / Monitor.

● Get PMode Status

Header	Command	ID	Data Length	Check Sum
0xAA	0x71		0	

● Set PMode

Header	Command	ID	Data Length	Data 1	Check Sum
0xAA	0x71		1	PMode	

PMode : Picture Mode code to be set on TV/Monitor

Source	Data	Mode
AV S-Video Component HDCP (TV)	0x00	Dynamic
	0x01	Standard
	0x02	Movie
	0x03	Custom
	0x50	Off
PC BNC DVI (MagicInfo)	0x10	Entertain
	0x11	Internet
	0x12	Text
	0x13	Custom
	0x50	Off

Caution : Dynamic Contrast will not operate in any other mode except Off mode.

● Ack

Header	Command	ID	Data Length	Ack/Nak	r-CMD	Val 1	Check Sum
0xAA	0xFF		3	'A'	0x71	PMode	

PMode : Same as above

● Nak

Header	Command	ID	Data Length	Ack/Nak	r-CMD	Val 1	Check Sum
0xAA	0xFF		3	'N'	0x71	ERR	

ERR : Error code that shows what occurred error is

* S.Mode Control

● Function

Personal Computer changes Sound Mode of TV / Monitor.

● Get SMode Status

Header	Command	ID	Data Length	Check Sum
0xAA	0x72		0	

● Set SMode

Header	Command	ID	Data Length	Data 1	Check Sum
0xAA	0x72		1	SMode	

SMode : Sound Mode code to be set on TV/Monitor

Data	Mode
0x00	Standard
0x01	Music
0x02	Movie
0x03	Speech
0x04	Custom

● Ack

Header	Command	ID	Data Length	Ack/Nak	r-CMD	Val 1	Check Sum
0xAA	0xFF		3	'A'	0x72	SMode	

SMode : Same as above

● Nak

Header	Command	ID	Data Length	Ack/Nak	r-CMD	Val 1	Check Sum
0xAA	0xFF		3	'N'	0x72	ERR	

ERR : Error code that shows what occurred error is

* NR Mode Set (ATV, DTV, AV, S- Video, Component, HDMI Only)

- Function

Personal Computer changes Digital NR mode.

- Get NR Mode Status

Header	Command	ID	Data Length	Check Sum
0xAA	0x73		0	

- Set NR Mode

Header	Command	ID	Data Length	Data 1	Check Sum
0xAA	0x73		1	NR Mode	

NR Mode : NR Mode On/Off code to be set on TV/Monitor

1	NR Mode On
0	NR Mode Off

- Ack

Header	Command	ID	Data Length	Ack/Nak	r-CMD	Val 1	Check Sum
0xAA	0xFF		3	'A'	0x73	NR Mode	

NR Mode : Same as above

- Nak

Header	Command	ID	Data Length	Ack/Nak	r-CMD	Val 1	Check Sum
0xAA	0xFF		3	'N'	0x73	ERR	

ERR : Error code that shows what occurred error is

* PC Color Tone Control (**PC, BNC, DVI Only**)

● Function

Personal Computer can change color tone of Monitor.

● Get Color Tone Status

Header	Command	ID	Data Length	Check Sum
0xAA	0x75		0	

● Set Color Tone

Header	Command	ID	Data Length	Data 1	Check Sum
0xAA	0x75		1	Color Tone	

Color Tone : Color Tone value code to set on TV/Monitor (0 ~ 3)

Source	Data	Mode
PC DVI BNC	0x00	Custom
	0x01	Cool
	0x02	Normal
	0x03	Warm
	0x50	Off

● Ack

Header	Command	ID	Data Length	Ack/Nak	r-CMD	Val 1	Check Sum
0xAA	0xFF		3	'A'	0x75	Color Tone	

Color Tone : Same as above

● Nak

Header	Command	ID	Data Length	Ack/Nak	r-CMD	Val 1	Check Sum
0xAA	0xFF		3	'N'	0x75	ERR	

ERR : Error code that shows what occurred error is

* Auto AutoAdjustment

● Function

Personal Computer can Enable/Disable Auto Adjustment function.

On 되었을 경우에만 Auto Auto Adjustment 기능이 동작된다.

● Get A.Adjustment Status

Header	Command	ID	Data Length	Check Sum
0xAA	0x76		0	

● Set A.Adjustment

Header	Command	ID	Data Length	Data 1	Check Sum
0xAA	0x76		1	A.Adjustment	

A.Adjustment : Auto Auto Adjustment Value Code to be set on TV/Monitor

1	Enable
0	Disable

● Ack

Header	Command	ID	Data Length	Ack/Nak	r-CMD	Val 1	Check Sum
0xAA	0xFF		3	'A'	0x76	A.Adjustment	

A.Adjustment : Same as above

● Nak

Header	Command	ID	Data Length	Ack/Nak	r-CMD	Val 1	Check Sum
0xAA	0xFF		3	'N'	0x76	ERR	

ERR : Error code that shows what occurred error is

* All Keys Lock

● Function

Personal Computer turns both REMOCON and Panel Key Lock function on/off.

Can operate regardless of whether power is on/off.

● Get All Key Status

Header	Command	ID	Data Length	Check Sum
0xAA	0x77		0	

● Set All Key Lock/Unlock

Header	Command	ID	Data Length	Data 1	Check Sum
0xAA	0x77		1	All Key	

All Key : Lock On/Off code of every Key to be set on TV/Monitor

1	Lock
0	Unlock

● Ack

Header	Command	ID	Data Length	Ack/Nak	r-CMD	Val 1	Check Sum
0xAA	0xFF		3	'A'	0x77	All Key	

All Key : Same as above

● Nak

Header	Command	ID	Data Length	Ack/Nak	r-CMD	Val 1	Check Sum
0xAA	0xFF		3	'N'	0x77	ERR	

ERR : Error code that shows what occurred error is

61) SRS TS XT Control

- Function

Personal Computer turns SRS TS XT of TV / Monitor on/off.

Can only operate with TV/Monitor that has SRS TS XT function.

- Get SRS TS XT Status

Header	Command	ID	Data Length	Check Sum
0xAA	0x78		0	

- Set SRS TSXT

Header	Command	ID	Data Length	Data 1	Check Sum
0xAA	0x78		1	SRS	

SRS : SRS TS XT code to be set on TV/Monitor

1	SRS ON
0	SRS OFF

- Ack

Header	Command	ID	Data Length	Ack/Nak	r-CMD	Val 1	Check Sum
0xAA	0xFF		3	'A'	0x78	SRS	

SRS : Same as above

- Nak

Header	Command	ID	Data Length	Ack/Nak	r-CMD	Val 1	Check Sum
0xAA	0xFF		3	'N'	0x78	ERR	

ERR : Error code that shows what occurred error is

62) Film Mode Control

- Function

Personal Computer turns Film Mode of TV / Monitor on/off.

- Get Film Mode Status

Header	Command	ID	Data Length	Check Sum
0xAA	0x79		0	

- Set Film Mode

Header	Command	ID	Data Length	Data 1	Check Sum
0xAA	0x79		1	FMode	

FMode : Film Mode code to be set on TV/Monitor

1	Film Mode ON
0	Film Mode OFF

- Ack

Header	Command	ID	Data Length	Ack/Nak	r-CMD	Val 1	Check Sum
0xAA	0xFF		3	'A'	0x79	FMode	

FMode : Same as above

- Nak

Header	Command	ID	Data Length	Ack/Nak	r-CMD	Val 1	Check Sum
0xAA	0xFF		3	'N'	0x79	ERR	

ERR : Error code that shows what occurred error is

63) Signal Balance (PC, BNC Only)

- Function

Personal Computer turns Signal Balance of TV / Monitor ON/OFF.

- Get Signal Balance Status

Header	Command	ID	Data Length	Check Sum
0xAA	0x7A			0

- Set Signal Balance

Header	Command	ID	Data Length	Data 1	Check Sum
0xAA	0x7A			1	

SBalance : Signal Balance code to be set on TV/Monitor

1	Signal Balance ON
0	Signal Balance OFF

- Ack

Header	Command	ID	Data Length	Ack/Nak	r-CMD	Val 1	Check Sum
0xAA	0xFF			3	'A'	0x7A	

SBalance : Same as above

- Nak

Header	Command	ID	Data Length	Ack/Nak	r-CMD	Val 1	Check Sum
0xAA	0xFF			3	'N'	0x7A	

ERR : Error code that shows what occurred error is

64) SB Red Gain (PC, BNC Only)

- Function

Personal Computer changes Red Gain value of Monitor Signal Balance.

- Get SB Red Gain Status

Header	Command	ID	Data Length	Check Sum
0xAA	0x7B		0	

- Set SB Red Gain

Header	Command	ID	Data Length	Data 1	Check Sum
0xAA	0x7B		1	SB R Gain	

SB R Gain : Phase B value code of Signal Balance to be set on Monitor (0 ~ 100)

- Ack

Header	Command	ID	Data Length	Ack/Nak	r-CMD	Val 1	Check Sum
0xAA	0xFF		3	'A'	0x7B	SB R Gain	

SB R Gain : Same as above

- Nak

Header	Command	ID	Data Length	Ack/Nak	r-CMD	Val 1	Check Sum
0xAA	0xFF		3	'N'	0x7B	ERR	

ERR : Error code that shows what occurred error is

65) SB Green Gain(PC, BNC Only)

- Function

Personal Computer changes Green Gain value of Monitor Signal Balance.

- Get SB Green Gain Status

Header	Command	ID	Data Length	Check Sum
0xAA	0x7C		0	

- Set SB Green Gain

Header	Command	ID	Data Length	Data 1	Check Sum
0xAA	0x7C		1	SB G Gain	

SB G Gain : Phase B value code of Signal Balance to be set on Monitor (0 ~ 100)

- Ack

Header	Command	ID	Data Length	Ack/Nak	r-CMD	Val 1	Check Sum
0xAA	0xFF		3	'A'	0x7C	SB G Gain	

SB G Gain : Same as above

- Nak

Header	Command	ID	Data Length	Ack/Nak	r-CMD	Val 1	Check Sum
0xAA	0xFF		3	'N'	0x7C	ERR	

ERR : Error code that shows what occurred error is

66) SB Blue Gain(PC, BNC Only)

- Function

Personal Computer changes Blue Gain value of Monitor Signal Balance.

- Get SB Blue Gain Status

Header	Command	ID	Data Length	Check Sum
0xAA	0x7D		0	

- Set SB Blue Gain

Header	Command	ID	Data Length	Data 1	Check Sum
0xAA	0x7D		1	SB B Gain	

SB G Gain : Phase B value code of Signal Balance to be set on Monitor (0 ~ 100)

- Ack

Header	Command	ID	Data Length	Ack/Nak	r-CMD	Val 1	Check Sum
0xAA	0xFF		3	'A'	0x7B	SB B Gain	

SB B Gain : Same as above

- Nak

Header	Command	ID	Data Length	Ack/Nak	r-CMD	Val 1	Check Sum
0xAA	0xFF		3	'N'	0x7C	ERR	

ERR : Error code that shows what occurred error is

67) SB Sharpness (PC, BNC Only)

- Function

Personal Computer changes Sharpness value of Monitor Signal Balance.

- Get SBSharpness Status

Header	Command	ID	Data Length	Check Sum
0xAA	0x7F			0

- Set SBSharpness

Header	Command	ID	Data Length	Data 1	Check Sum
0xAA	0x7F			1	SBSsharpness

SBSsharpness : Signal Balance Sharpness value code to be set on Monitor (0 ~ 100)

- Ack

Header	Command	ID	Data Length	Ack/Nak	r-CMD	Val 1	Check Sum
0xAA	0xFF			3	'A'	0x7F	SBSsharpness

SBSsharpness : Same as above

- Nak

Header	Command	ID	Data Length	Ack/Nak	r-CMD	Val 1	Check Sum
0xAA	0xFF			3	'N'	0x7F	ERR

ERR : Error code that shows what occurred error is

68) Panel On Time

- Function

Personal Computer shows Panel On Time of TV / Monitor.

- Get Panel On Time Status

Header	Command	ID	Data Length	Check Sum
0xAA	0x83			0

- Ack

Header	Command	ID	Data Length	Ack/Nak	r-CMD	Val 1	Val 2
0xAA	0xFF			0x05	'A'	0x83	PTIME_H

Check Sum

PTIME_H : Panel On Time High.

PTIME_L : Panel On Time Low.

- Nak

Header	Command	ID	Data Length	Ack/Nak	r-CMD	Val 1	Check Sum
0xAA	0xFF			3	'N'	0x83	

ERR : Error code that shows what occurred error is

69) Video Wall On

- Function

Personal Computer turns Video Wall of TV / Monitor ON/OFF.

Does not operate in MagicInfo source.

- Get Video Wall On/Off Status

Header	Command	ID	Data Length	Check Sum
0xAA	0x84		0	

- Set Video Wall On/Off

Header	Command	ID	Data Length	Data 1	Check Sum
0xAA	0x84		1	V.Wall_On	

V.Wall_On : Video Wall Code to set on TV / Monitor

1	Video Wall ON
0	Video Wall OFF

- Ack

Header	Command	ID	Data Length	Ack/Nak	r-CMD	Val 1	Check Sum
0xAA	0xFF		3	'A'	0x84	V.Wall_On	

V.Wall_On : Same as above

- Nak

Header	Command	ID	Data Length	Ack/Nak	r-CMD	Val 1	Check Sum
0xAA	0xFF		3	'N'	0x84	ERR	

ERR : Error code that shows what occurred error is

70) Temperature Control

- Function

Personal Computer sets the maximum value of TV / Monitor temperature.

Only supports models with Temperature notification function.

- Get Temperature Status

Header	Command	ID	Data Length	Check Sum
0xAA	0x85		0	

- Set Temperature Status

Header	Command	ID	Data Length	Data 1	Check Sum
0xAA	0x85		1	Temperature	

Temperature : Temperature code to be set on TV/Monitor

Data	45 ~ 125(°C)
------	--------------

- Ack

Header	Command	ID	Data Length	Ack/Nak	r-CMD	Val 1	Check Sum
0xAA	0xFF		3	'A'	0x85	Temperature	

Temperature : Same as above

- Nak

Header	Command	ID	Data Length	Ack/Nak	r-CMD	Val 1	Check Sum
0xAA	0xFF		3	'N'	0x85	ERR	

ERR : Error code that shows what occurred error is

71) Brightness Sensor

- Function

Personal Computer turns Brightness Sensor of TV / Monitor on/off.

Only supports models with Brightness Sensor.

PDP Model is not available it.

- Get Brightness Sensor ON/OFF Status

Header	Command	ID	Data Length	Check Sum
0xAA	0x86		0	

- Set Brightness Sensor ON/OFF

Header	Command	ID	Data Length	Data 1	Check Sum
0xAA	0x86		1	BR_Sensor	

BR_Sensor : Brightness Sensor Code to be set on TV/Monitor

1	Brightness Sensor ON
0	Brightness Sensor OFF

- Ack

Header	Command	ID	Data Length	Ack/Nak	r-CMD	Val 1	Check Sum
0xAA	0xFF		3	'A'	0x86	BR_Sensor	

- Nak

Header	Command	ID	Data Length	Ack/Nak	r-CMD	Val 1	Check Sum
0xAA	0xFF		3	'N'	0x86	ERR	

ERR : Error code that shows what occurred error is

72) Dynamic Contrast

- Function

Personal Computer turns Dynamic Contrast of TV / Monitor on/off.

Does not operate in PC, DVI and MagicNet.

PDP Model is not available it.

- Get Dynamic Contrast ON/OFF Status

Header	Command	ID	Data Length	Check Sum
0xAA	0x87		0	

- Set Dynamic Contrast ON/OFF

Header	Command	ID	Data Length	Data 1	Check Sum
0xAA	0x87		1	DY_Cont	

DY_Cont : Dynamic Contrast code to be set on TV/Monitor

1	Dynamic Contrast ON
0	Dynamic Contrast OFF

- Ack

Header	Command	ID	Data Length	Ack/Nak	r-CMD	Val 1	Check Sum
0xAA	0xFF		3	'A'	0x87	DY_Cont	

- Nak

Header	Command	ID	Data Length	Ack/Nak	r-CMD	Val 1	Check Sum
0xAA	0xFF		3	'N'	0x87	ERR	

ERR : Error code that shows what occurred error is

72) Video Wall User Control

- Function

Personal Computer turns Video Wall function of TV / Monitor on/off.

Does not operate in MagicNet.

- Get Video Wall Status

Header	Command	ID	Data Length	Check Sum
0xAA	0x89		0	

- Set Video Wall

Header	Command	ID	Data Length	Data 1	Data 2	Check Sum
0xAA	0x89		2	Wall_Div	Wall_SNo	

Wall_Div : Video Wall Divider code set on TV/Monitor

(It is dependent on Product Specifications.)

- **5x5 Video Wall Model** :

- **10x10 Video Wall Model** :

V H	1	2	3	4	5	6	7	8	9	10	11	12	13	14	15
OFF	0x00	0x00	0x00	0x00	0x00	0x00	0x00	0x00	0x00	0x00	0x00	0x00	0x00	0x00	0x00
1	0x11	0x12	0x13	0x14	0x15	0x16	0x17	0x18	0x19	0x1A	0x1B	0x1C	0x1D	0x1E	0x1F
2	0x21	0x22	0x23	0x24	0x25	0x26	0x27	0x28	0x29	0x2A	0x2B	0x2C	0x2D	0x2E	0x2F
3	0x31	0x32	0x33	0x34	0x35	0x36	0x37	0x38	0x39	0x3A	0x3B	0x3C	0x3D	0x3E	0x3F
4	0x41	0x42	0x43	0x44	0x45	0x46	0x47	0x48	0x49	0x4A	0x4B	0x4C	0x4D	0x4E	0x4F
5	0x51	0x52	0x53	0x54	0x55	0x56	0x57	0x58	0x59	0x5A	0x5B	0x5C	0x5D	0x5E	0x5F
6	0x61	0x62	0x63	0x64	0x65	0x66	0x67	0x68	0x69	0x6A	0x6B	0x6C	0x6D	0x6E	0x6F
7	0x71	0x72	0x73	0x74	0x75	0x76	0x77	0x78	0x79	0x7A	0x7B	0x7C	0x7D	0x7E	N/A
8	0x81	0x82	0x83	0x84	0x85	0x86	0x87	0x88	0x89	0x8A	0x8B	0x8C	N/A	N/A	N/A
9	0x91	0x92	0x93	0x94	0x95	0x96	0x97	0x98	0x99	0x9A	0x9B	N/A	N/A	N/A	N/A

SEC- VD- DSW External Control - 0008

10	0xA1	0xA2	0xA3	0xA4	0xA5	0xA6	0xA7	0xA8	0xA9	0xAA	N/A	N/A	N/A	N/A	N/A
11	0xB1	0xB2	0xB3	0xB4	0xB5	0xB6	0xB7	0xB8	0xB9	N/A	N/A	N/A	N/A	N/A	N/A
12	0xC1	0xC2	0xC3	0xC4	0xC5	0xC6	0xC7	0xC8	N/A	N/A	N/A	N/A	N/A	N/A	N/A
13	0xD1	0xD2	0xD3	0xD4	0xD5	0xD6	0xD7	N/A	N/A	N/A	N/A	N/A	N/A	N/A	N/A
14	0xE1	0xE2	0xE3	0xE4	0xE5	0xE6	0xE7	N/A	N/A	N/A	N/A	N/A	N/A	N/A	N/A
15	0xF1	0xF2	0xF3	0xF4	0xF5	0xF6	N/A	N/A	N/A	N/A	N/A	N/A	N/A	N/A	N/A

Wall_SNo : TV/Monitor Number code set on TV/Monitor
 (It is dependent on Product Specifications.)

- **5x5 Video Wall Model** : (1 ~ 25)

Set Number	Data
1	0x01
2	0x02
...	...
24	0x18
25	0x19

- **10x10 Video Wall Model** : (1 ~ 100)

Set Number	Data
1	0x01
2	0x02
...	...
99	0x63
100	0x64

● Ack

Header	Command	ID	Data Length	Ack/Nak	r-CMD	Val 1	Val 2	Check Sum
0xAA	0xFF		4	'A'	0x89	Wall_Div	Wall_SNo	

● Nak

Header	Command	ID	Data Length	Ack/Nak	r-CMD	Val 1	Check Sum
0xAA	0xFF		3	'N'	0x89	ERR	

ERR : Error code that shows what occurred error is

73) Model Name Control

- Function

Personal Computer grasps TV / Monitor Model Name and display.

- Get Model Number Status

Header	Command	ID	Data Length	Check Sum
0xAA	0x8A		0	

- Ack

Header	Command	ID	Data Length	Ack/Nak	r-CMD	Val 1	Val 2	
0xAA	0xFF		Length	'A'	0x8A	M_Name1	M_Name2	
Val 3	Val 4	Val 5	Val 6	Val 7	Val 8	Val 9	Val 10	
M_Name3	M_Name4	M_Name5	M_Name6	M_Name7	M_Name8	M_Name9	M_Name10	
Val 11	Val 12	Val 13	Val 14	Val 15	Val 16			
M_Name11	M_Name12	M_Name13	M_Name14	M_Name15	M_Name16			
Val 17	Val ...	Check Sum						
M_Name17	M_Name...							

M_Name1 ~ M_Name... : TV / Monitor's Model Name.

Length : Length means number of **M_Name** elements & Ack/Nak & r-CMD.

M_Name1	'S'
M_Name2	'y'
M_Name3	'n'
M_Name4	'c'
M_Name5	'M'
M_Name6	'a'
M_Name7	's'
M_Name8	't'
M_Name9	'e'
M_Name10	'r'
M_Name11	'4'
M_Name12	'0'
M_Name13	'0'
M_Name14	'D'
M_Name15	'X'
M_Name16	'n'

74) Timer1 Control

- Function:

Personal Computer controls the Timer1 that TV / Monitor.

(It is dependent on Product Specifications.)

- Get Timer1 Status

Header	Command	ID	Data Length	Check Sum
0xAA	0xA4		0	

- Set Timer1

Header	Command	ID	Data Length	Data 1	Data 2	Data 3	Data 4	Data 5
0xAA	0xA4		0x0D	On H	On M	On AM/PM	On	Off H

Data 6	Data 7	Data 8	Data 9	Data 10	Data 11	Data 12	Data 13	Check Sum
Off M	Off AM/PM	Off	Repeat	Manual Weekday	Volume	Source	Holiday Enable	

On H : On Time Hour value to be set on TV/Monitor (1 ~ 12)

On M : On Time Minute value to be set on TV/Monitor (0 ~ 59)

On AM/PM : On Time AM/PM value to be set on TV/Monitor (0~1)

0x00	PM
0x01	AM

On : On Time Off/On to be set on TV/Monitor (0(off)~1(on))

Off H : Off Time Hour value to be set on TV/Monitor (1 ~ 12)

Off M : Off Time Minute value to be set on TV/Monitor (0 ~ 59)

Off AM/PM : Off Time AM/PM value to be set on TV/Monitor (0~1)

0x00	PM
0x01	AM

Off : Off Time Off/On to be set on TV/Monitor (0(off)~1(on))

Repeat : Repeat value to be set on TV/Monitor (0~5)

0:Once 1:Everyday 2:Mon~Fri 3:Mon~Sat 4:Sat~Sun 5:Manual Weekday

ManualWeekday : Weekday value to be set on TV/Monitor.

BIT7	BIT6	BIT5	BIT4	BIT3	BIT2	BIT1	BIT0
X	Sat	Fri	Thu	Wed	Tue	Mon	Sun

BIT7 : Don't care

Volume : Volume to be set on TV/Monitor.

Source : Source to be set on TV/Monitor.

Holiday Enable : Holiday Enable/Disable to be set on TV/Monitor. (0~1)

0x00	Disable
0x01	Enable

SEC- VD- DSW External Control - 0008

- Ack

Header	Command	ID	Data Length	Ack/Nak	r-CMD	Val 1	Val 2	Val 3		
0xAA	0xFF		0x0F	'A'	0xA4	On H	On M	On AM/PM		
Val 4	Val 5	Val 6	Val 7	Val 8	Val 9	Val 10	Val 11	Val 12	Val 13	Check Sum
On	Off H	Off M	Off AM/PM	Off	Repeat	Manula Weekday	Volume	Source	Holiday Enable	

Val1 ~ Val13: Same as above

- Nak

Header	Command	ID	Data Length	Ack/Nak	r-CMD	Val 1	Check Sum
0xAA	0xFF		0x03	'N'	0xA4	ERR	

ERR : Error code that shows what occurred error is

75) Timer2 Control

● Function:

Personal Computer controls the Timer2 that TV / Monitor.

(It is dependent on Product Specifications.)

● Get Timer2 Status

Header	Command	ID	Data Length	Check Sum
0xAA	0xA5		0	

● Set Timer2

Header	Command	ID	Data Length	Data 1	Data 2	Data 3	Data 4	Data 5
0xAA	0xA5		0x0D	On H	On M	On AM/PM	On	Off H

Data 6	Data 7	Data 8	Data 9	Data 10	Data 11	Data 12	Data 13	Check Sum
Off M	Off AM/PM	Off	Repeat	Manual Weekday	Volume	Source	Holiday Enable	

On H : On Time Hour value to be set on TV/Monitor (1 ~ 12)

On M : On Time Minute value to be set on TV/Monitor (0 ~ 59)

On AM/PM : On Time AM/PM value to be set on TV/Monitor (0~1)

0x00	PM
0x01	AM

On : On Time Off/On to be set on TV/Monitor (0(off)~1(on))

Off H : Off Time Hour value to be set on TV/Monitor (1 ~ 12)

Off M : Off Time Minute value to be set on TV/Monitor (0 ~ 59)

Off AM/PM : Off Time AM/PM value to be set on TV/Monitor (0~1)

0x00	PM
0x01	AM

Off : Off Time Off/On to be set on TV/Monitor (0(off)~1(on))

Repeat : Repeat value to be set on TV/Monitor (0~5)

0:Once 1:Everyday 2:Mon~Fri 3:Mon~Sat 4:Sat~Sun 5:Manual Weekday

ManualWeekday : Weekday value to be set on TV/Monitor.

B̄IT7	B̄IT6	B̄IT5	B̄IT4	B̄IT3	B̄IT2	B̄IT1	B̄IT0
X	Sat	Fri	Thu	Wed	Tue	Mon	Sun

BIT7 : Don't care

Volume : Volume to be set on TV/Monitor.

Source : Source to be set on TV/Monitor.

Holiday Enable : Holiday Enable/Disable to be set on TV/Monitor. (0~1)

0x00	Disable
0x01	Enable

SEC- VD- DSW External Control - 0008

- Ack

Header	Command	ID	Data Length	Ack/Nak	r-CMD	Val 1	Val 2	Val 3		
0xAA	0xFF		0x0F	'A'	0xA5	On H	On M	On AM/PM		
Val 4	Val 5	Val 6	Val 7	Val 8	Val 9	Val 10	Val 11	Val 12	Val 13	Check Sum
On	Off H	Off M	Off AM/PM	Off	Repeat	Manula Weekday	Volume	Source	Holiday Enable	

Val1 ~ Val13: Same as above

- Nak

Header	Command	ID	Data Length	Ack/Nak	r-CMD	Val 1	Check Sum
0xAA	0xFF		0x03	'N'	0xA5	ERR	

ERR : Error code that shows what occurred error is

76) Timer3 Control

- Function:

Personal Computer controls the Timer3 that TV / Monitor.

(It is dependent on Product Specifications.)

- Get Timer3 Status

Header	Command	ID	Data Length	Check Sum
0xAA	0xA6		0	

- Set Timer3

Header	Command	ID	Data Length	Data 1	Data 2	Data 3	Data 4	Data 5
0xAA	0xA6		0x0D	On H	On M	On AM/PM	On	Off H

Data 6	Data 7	Data 8	Data 9	Data 10	Data 11	Data 12	Data 13	Check Sum
Off M	Off AM/PM	Off	Repeat	Manual Weekday	Volume	Source	Holiday Enable	

On H : On Time Hour value to be set on TV/Monitor (1 ~ 12)

On M : On Time Minute value to be set on TV/Monitor (0 ~ 59)

On AM/PM : On Time AM/PM value to be set on TV/Monitor (0~1)

0x00	PM
0x01	AM

On : On Time Off/On to be set on TV/Monitor (0(off)~1(on))

Off H : Off Time Hour value to be set on TV/Monitor (1 ~ 12)

Off M : Off Time Minute value to be set on TV/Monitor (0 ~ 59)

Off AM/PM : Off Time AM/PM value to be set on TV/Monitor (0~1)

0x00	PM
0x01	AM

Off : Off Time Off/On to be set on TV/Monitor (0(off)~1(on))

Repeat : Repeat value to be set on TV/Monitor (0~5)

0:Once 1:Everyday 2:Mon~Fri 3:Mon~Sat 4:Sat~Sun 5:Manual Weekday

ManualWeekday : Weekday value to be set on TV/Monitor.

B̄IT7	B̄IT6	B̄IT5	B̄IT4	B̄IT3	B̄IT2	B̄IT1	B̄IT0
X	Sat	Fri	Thu	Wed	Tue	Mon	Sun

BIT7 : Don't care

Volume : Volume to be set on TV/Monitor.

Source : Source to be set on TV/Monitor.

Holiday Enable : Holiday Enable/Disable to be set on TV/Monitor. (0~1)

0x00	Disable
0x01	Enable

SEC- VD- DSW External Control - 0008

- Ack

Header	Command	ID	Data Length	Ack/Nak	r-CMD	Val 1	Val 2	Val 3		
0xAA	0xFF		0x0F	'A'	0xA6	On H	On M	On AM/PM		
Val 4	Val 5	Val 6	Val 7	Val 8	Val 9	Val 10	Val 11	Val 12	Val 13	Check Sum
On	Off H	Off M	Off AM/PM	Off	Repeat	Manual Weekday	Volume	Source	Holiday Enable	

Val1 ~ Val13: Same as above

- Nak

Header	Command	ID	Data Length	Ack/Nak	r-CMD	Val 1	Check Sum
0xAA	0xFF		0x03	'N'	0xA6	ERR	

ERR : Error code that shows what occurred error is

77) Clock Control

- Function

Personal Computer controls current time of TV / Monitor.

(It is dependent on Product Specifications.)

- Get Clock Status

Header	Command	ID	Data Length	Check Sum
0xAA	0xA7		0x00	

- Set Clock

Header	Command	ID	Data Length	Data 1	Data 2	Data 3	Data 4
0xAA	0xA7		0x07	Day	H Time	M Time	Month
Data 5	Data 6	Data 7	Check Sum				
Year1	Year2	AP Time					

Day : Day value to be set on TV/Monitor (1 ~ 31)

Month : Month value to be set on TV/Monitor (1 ~ 12)

Year1 : Year value to be set on TV/Monitor (High Byte)

Year2 : Year value to be set on TV/Monitor (Low Byte)

ex) Current year is 2010.

2010(Dec) → 0x07DA(Hex)

Year1: 0x07

Year2: 0xDA

H Time : Hour value to be set on TV/Monitor (1 ~ 12)

M Time : Minute value to be set on TV/Monitor (0 ~ 59)

AP Time : AM/PM value to be set on TV/Monitor (0 ~ 1)

0x00	PM
0x01	AM

- Ack

Header	Command	ID	Data Length	Ack/Nak	r-CMD	Val 1	Val 2
0xAA	0xFF		0x09	'A'	0xA7	Day	H Time
Val 3	Val 4	Val 5	Val 6	Val 7	Check Sum		
M Time	Month	Year1	Year2	AP Time			

H Time, M Time : Same as above

Note : H Time, M Time if current time was not set on Monitor, 0xFF

- Nak

Header	Command	ID	Data Length	Ack/Nak	r-CMD	Val 1	Check Sum
0xAA	0xFF		0x03	'N'	0xA7	ERR	

ERR : Error code that shows what occurred error is

78) Holiday Add/Delete Control

- Function

Personal Computer controls Holiday List of TV / Monitor.

(It is dependent on Product Specifications.)

- Set Holiday Status

Header	Command	ID	Data Length	Data 1	Data 2	Data 3	Data 4
0xAA	0xA8		0x05	Management command	Month1	Day1	Month2
Data 5	Check Sum						
Day 2							

Management Command: Adjust Command Holiday List of TV / Monitor.

0x00	Add Holiday
0x01	Delete Holiday
0x02	Delete All

Add Holiday : Add New Holiday Information "Month/Day ~ Month/Day".

Delete Holiday : Delete one Holiday Information "Month/Day ~ Month/Day".

Delete All : Delete All Holiday Information.("Data2 ~ Data5" must be 0x00.)

- Ack

Header	Command	ID	Data Length	Ack/Nak	r-CMD	Val 1	Val 2
0xAA	0xFF		0x07	'A'	0xA8	Management command	Month1
Val 3	Val 4	Val 5	Check Sum				
Day1	Month2	Day2					

- Nak

Header	Command	ID	Data Length	Ack/Nak	r-CMD	Val 1	Check Sum
0xAA	0xFF		0x03	'N'	0xA8	ERR	

ERR : Error code that shows what occurred error is

79) Holiday Get Control

- Function

Personal Computer get Holiday List of TV / Monitor.

(It is dependent on Product Specifications.)

- Get Total Number of Holiday

Request Total number of Holiday information of TV/Monitor.

Header	Command	ID	Data Length	Check Sum
0xAA	0xA9		0x00	

- Get Holiday Date

Header	Command	ID	Data Length	Data 1	Check Sum
0xAA	0xA9		0x01	Index	

Index : Index value on Holiday List.

- Ack

Header	Command	ID	Data Length	Ack/Nak	r-CMD	Val 1	Val 2
0xAA	0xFF		0x07	'A'	0xA9	Index	Month1
Val 3	Val 4	Val 5	Check Sum				
Day1	Month2	Day2					

Rule of Ack Command.

Command Type	Index(Ack)	Month1(Ack)	Day1(Ack)	Month2(Ack)	Day2(Ack)
Get Number of Holiday	Total number	0x00	0x00	0x00	0x00
Get Holiday Date (If there is holiday information)	Index	Month1 (Index's data)	Day1 (Index's data)	Month2 (Index's data)	Day2 (Index's data)
Get Holiday Date (If there is no holiday information)	Index	0xFF	0xFF	0xFF	0xFF

- Nak

Header	Command	ID	Data Length	Ack/Nak	r-CMD	Val 1	Check Sum
0xAA	0xFF		0x03	'N'	0xA9	ERR	

ERR : Error code that shows what occurred error is

80) Panel On/Off

- Function

Personal Computer turns Panel of TV / Monitor on/off.

When input signal is changed, Panel turns on, (PN_State turns to PANEL ON, too.)

- Get Panel ON/OFF Status

Header	Command	ID	Data Length	Check Sum
0xAA	0xF9		0	

- Set Dynamic Contrast ON/OFF

Header	Command	ID	Data Length	Data 1	Check Sum
0xAA	0xF9		1	PN_State	

PN_State : Panel ON/OFF code to be set on TV/Monitor

1	PANEL OFF
0	PANEL ON

- Ack

Header	Command	ID	Data Length	Ack/Nak	r-CMD	Val 1	Check Sum
0xAA	0xFF		3	'A'	0xF9	PN_State	

- Nak

Header	Command	ID	Data Length	Ack/Nak	r-CMD	Val 1	Check Sum
0xAA	0xFF		3	'N'	0xF9	ERR	

ERR : Error code that shows what occurred error is