

A : min. 40 mm

B : min. 70 mm

C : min. 50 mm

D : min. 50 mm

E : Ambient temperature Measuring point <math><35^{\circ}\text{C}</math>

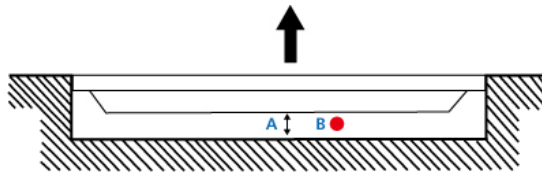
- When embedding the product in a wall, be sure there is some space behind the product for ventilation, as shown above, and maintain the ambient temperature at 35°C or lower.

 **Note**

A Samsung Electronics service center can provide details.

3. Floor mount guide

<Side view>



A : min. 50 mm

B: Ambient temperature Measuring point <math><20^{\circ}\text{C}</math>

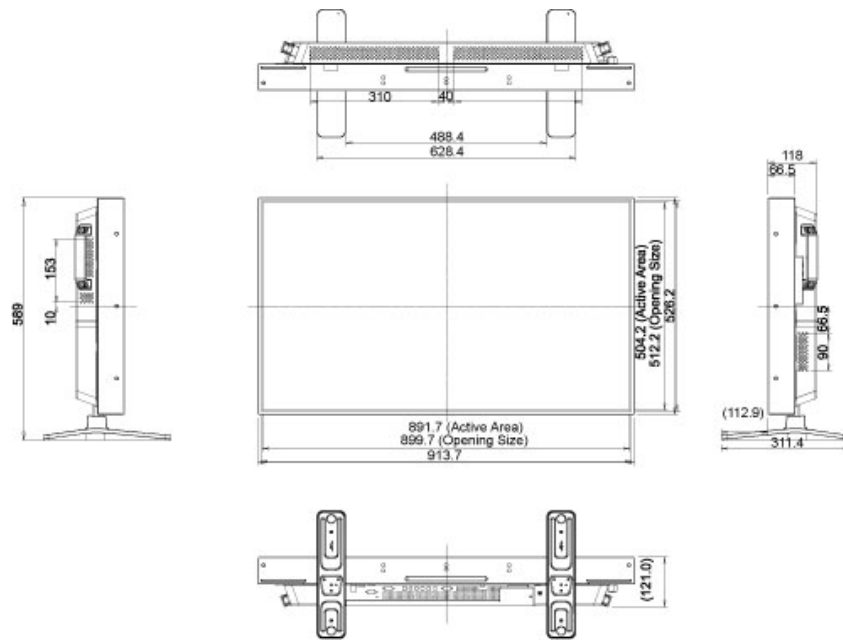
- When embedding the product in the floor, be sure there is a 50 mm space or more behind the product for ventilation, as shown above, and maintain the ambient temperature at 20°C or lower.

 **Note**

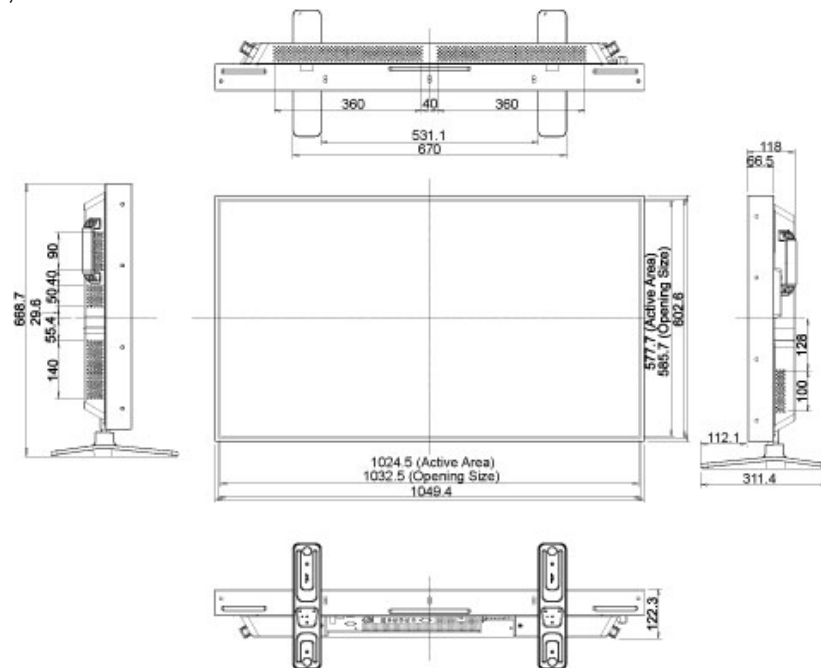
A Samsung Electronics service center can provide details.

Mechanical Layout

400UXN-3, 400UX-3



460UXN-3, 460UX-3

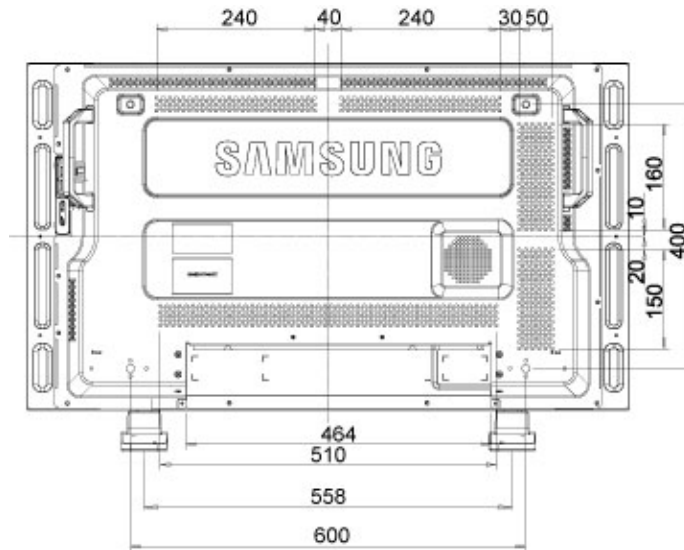


Installation VESA Bracket

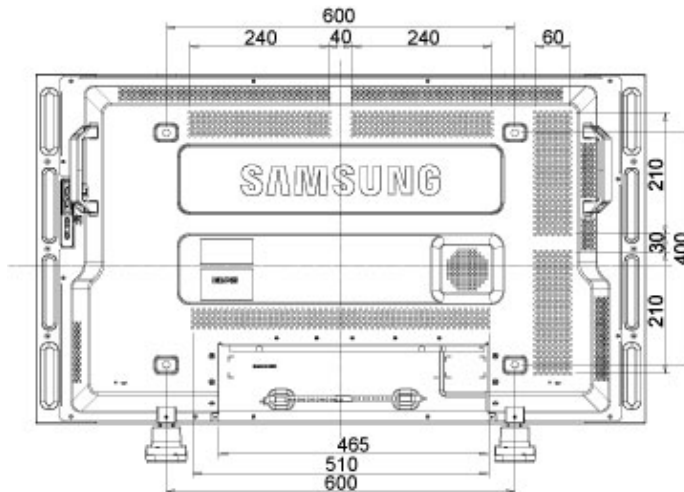
- When installing VESA, make sure to comply with the international VESA standards.
- Purchasing VESA Bracket and Installation Information : Please contact your nearest SAMSUNG Distributor to place an order. After your order is placed, installation professionals will visit you and install the bracket.
- At least 2 persons are needed in order to move the LCD Display.
- SAMSUNG is not responsible for any product damage or any injury caused by installation at customer's discretion.

Dimensions

400UXN-3, 400UX-3



460UXN-3, 460UX-3



 **Notice**

For securing the bracket on a wall, use only machine screws of 6 mm diameter and 8 to 12 mm length.

Accessories (sold separately)

- Dimension with optional stand

400UXN-3, 400UX-3