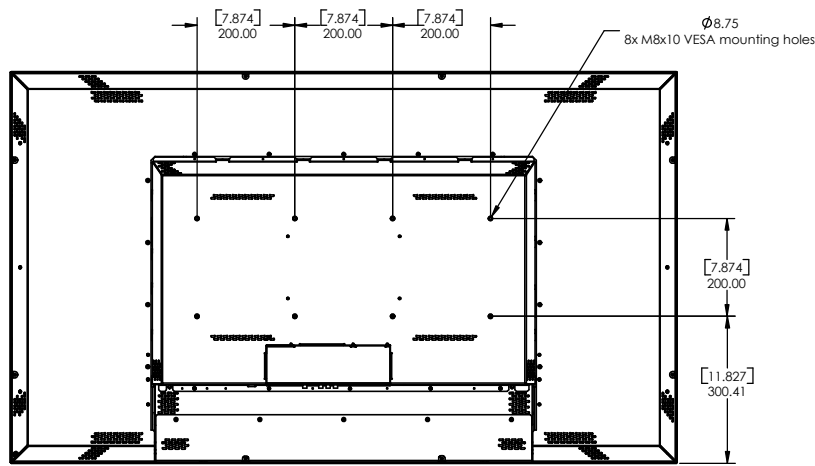
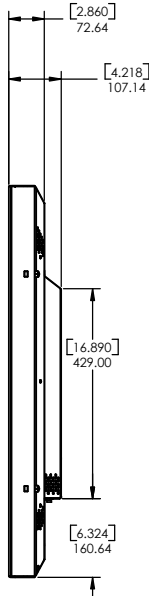
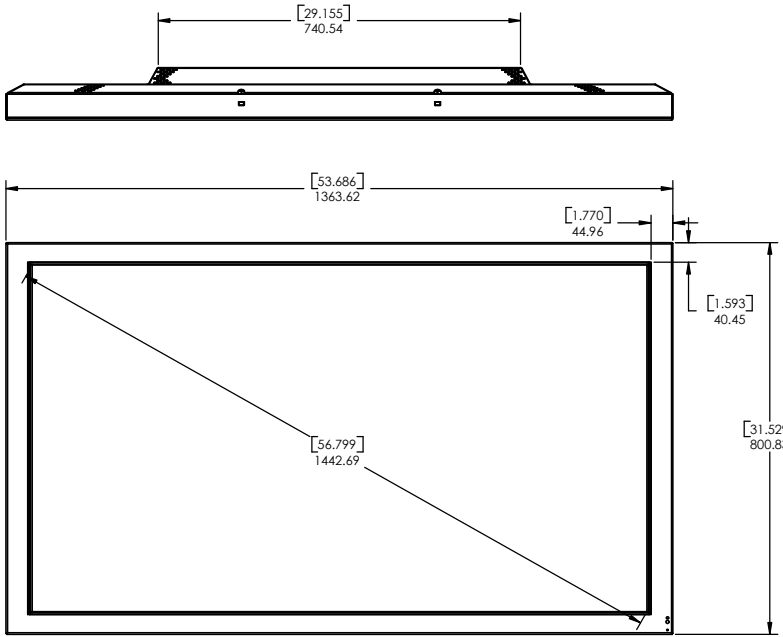


THIS DRAWING CONTAINS INFORMATION WHICH IS THE PROPRIETARY PROPERTY OF CLARITY VISUAL SYSTEMS, INC. THIS DRAWING WHEN REPRODUCED OR TRANSMITTED IN ANY FORM OR BY ANY MEANS, ELECTRONIC OR MECHANICAL, INCLUDING PHOTOCOPYING, RECORDING, OR BY ANY INFORMATION STORAGE AND RETRIEVAL SYSTEM, WITHOUT THE PRIOR WRITTEN PERMISSION OF CLARITY VISUAL SYSTEMS, INC. IS STRICTLY PROHIBITED.

REVISION HISTORY					
ZONE	REV	DESCRIPTION	DATE	APPR'D	ECN #
	00	GENERATE DRAWING	XXYYZZ	A/B/C	1234



NOTES: UNLESS OTHERWISE SPECIFIED.

TOLERANCES: UNLESS OTHERWISE SPECIFIED: DIMENSIONS ARE IN MILLIMETERS (IN). TOLERANCES ARE NONCUMULATIVE.		Clarity Visual Systems, Inc. 9025 SW Hillman Court, Suite 3122 Wilsonville, OR 97070	
DECIMALS ±.25 (±.010) HOLE DIA ±.13 (±.005) OML/OML ±.25 (±.010) ANGLES ± 1°	FINISH		
DRAWN BY/DATE	MATERIAL		
MECHANICAL ENG/DATE	TITLE		
MANUFACTURING ENG/DATE			
OPTICAL/ELECT ENG/DATE			
COMPLIANCE ENG/DATE			
FIRST USE	SIZE <input type="checkbox"/> CONTROLLED PART <input type="checkbox"/> PART NO. <input type="checkbox"/> REV <input type="checkbox"/> <input type="checkbox"/> SAFETY <input type="checkbox"/> EMC		
SCALE: 1:5 DO NOT SCALE DRAWING SHEET 1 OF 1			