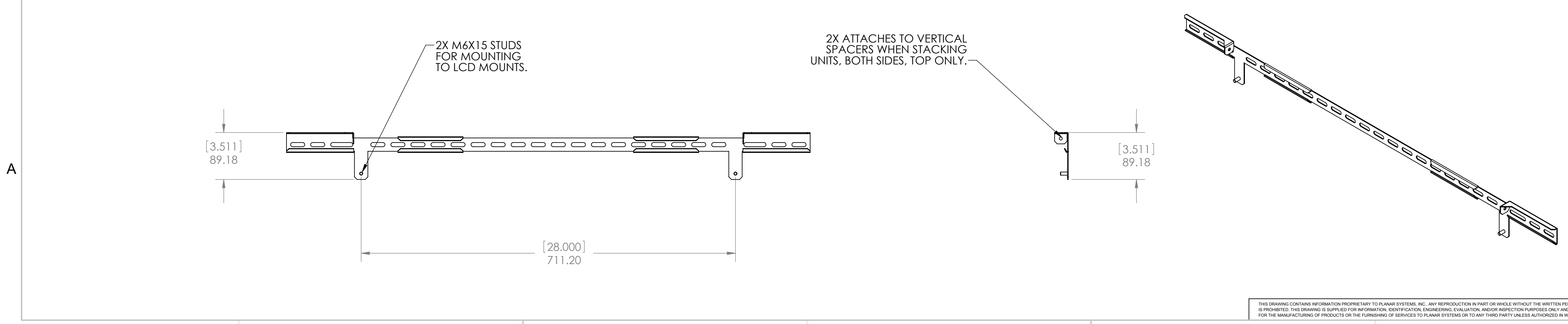


**OPTIONAL LANDSCAPE WALL STUD ADAPTER BRACKET**  
2 PER LCD BRACKET



- 2. SPECIFICATIONS SUBJECT TO CHANGE WITHOUT NOTICE.
  - 1. ENSURE THE LCD MOUNT ARE MOUNTED FLAT, LEVEL AND PLUMB.
- NOTES: UNLESS OTHERWISE SPECIFIED.

UNLESS OTHERWISE SPECIFIED DIMENSIONS ARE IN MILLIMETERS (INCHES)		ENGR BY EJS	22SEP10		PLANAR SYSTEMS, INC. 1195 NW COMPTON DRIVE BEAVERTON, OR 97008 USA
TOLERANCES:		DRAWN BY EJS	22SEP10		
X= ±1	XX= ±.25	CHECKED BY		TITLE <b>STANDARD ADA MATRIX MOUNT BRACKET LAYOUT</b>	
.X= ±.5	∠= ±1°	USED ON		SIZE D	PART NO. -
DIMENSIONING AND TOLERANCING PER ASME Y14.5M-1994		MATERIAL		SCALE 1:5	DRAWING NO. -
THIRD ANGLE PROJECTION		FINISH		DO NOT SCALE	DRAWING NO. -
				SHEET 2 OF 8	REV A

THIS DRAWING CONTAINS INFORMATION PROPRIETARY TO PLANAR SYSTEMS, INC. ANY REPRODUCTION IN PART OR WHOLE WITHOUT THE WRITTEN PERMISSION OF PLANAR SYSTEMS IS PROHIBITED. THIS DRAWING IS SUPPLIED FOR INFORMATION, IDENTIFICATION, ENGINEERING, EVALUATION, AND/OR INSPECTION PURPOSES ONLY AND MAY NOT BE USED AS BASIS FOR THE MANUFACTURING OF PRODUCTS OR THE FURNISHING OF SERVICES TO PLANAR SYSTEMS OR TO ANY THIRD PARTY UNLESS AUTHORIZED IN WRITING BY PLANAR SYSTEMS.