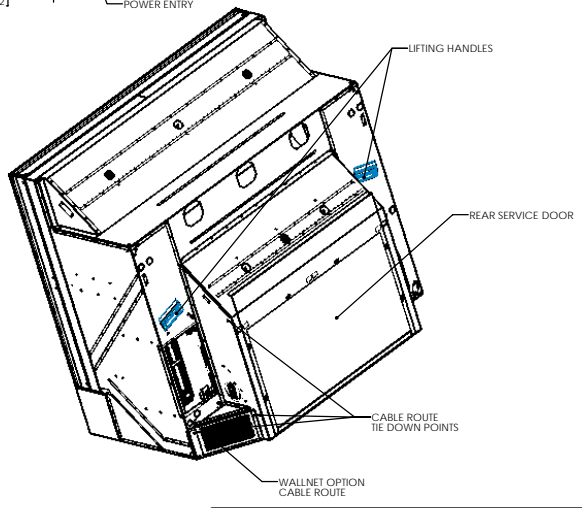
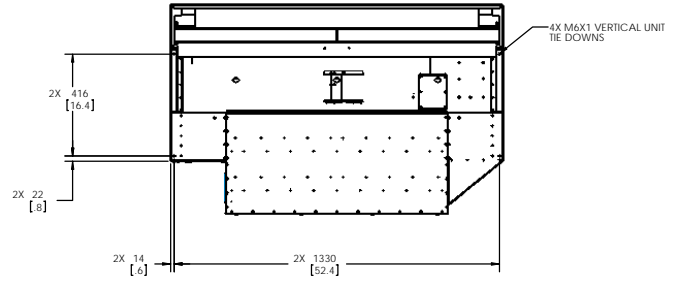
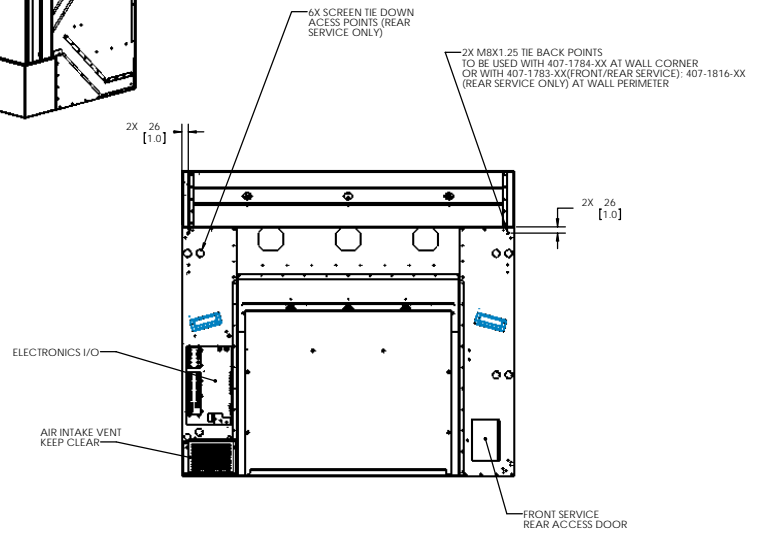
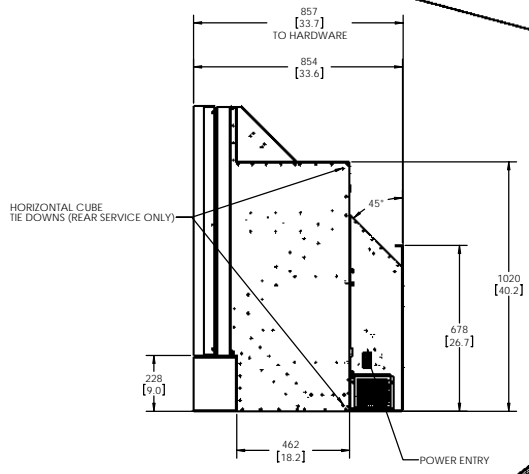
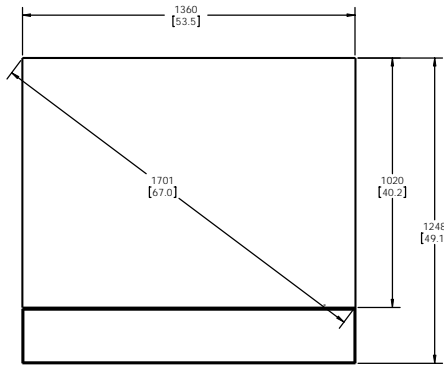
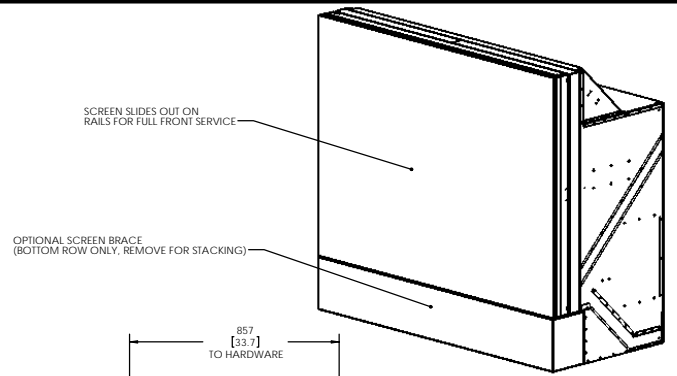
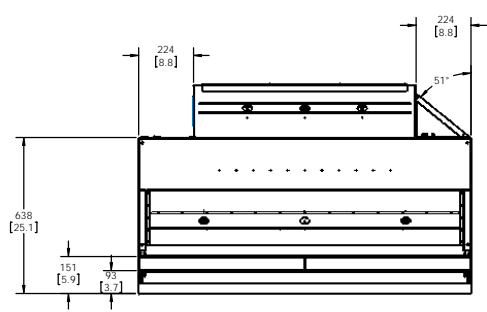


| REVISION HISTORY | | | | |
|------------------|-----|---------------------|-----------|--------------|
| ZONE | REV | DESCRIPTION | DATE | APPR'D ECN # |
| | 00 | PRELIMINARY RELEASE | 29-Jun-07 | EJS |
| | A | PRODUCT RELEASE | 08-Aug-07 | EJS |



NOTES: UNLESS OTHERWISE SPECIFIED.

| | | | |
|----------------------------|----------------------------|----------------------------|----------------------------|
| UNLESS OTHERWISE SPECIFIED | UNLESS OTHERWISE SPECIFIED | UNLESS OTHERWISE SPECIFIED | UNLESS OTHERWISE SPECIFIED |
| TOLERANCES | UNLESS OTHERWISE SPECIFIED | UNLESS OTHERWISE SPECIFIED | UNLESS OTHERWISE SPECIFIED |
| X = .1 | XX = .25 | UNLESS OTHERWISE SPECIFIED | UNLESS OTHERWISE SPECIFIED |
| X = .5 | ANGLES = .1° | UNLESS OTHERWISE SPECIFIED | UNLESS OTHERWISE SPECIFIED |
| UNLESS OTHERWISE SPECIFIED | UNLESS OTHERWISE SPECIFIED | UNLESS OTHERWISE SPECIFIED | UNLESS OTHERWISE SPECIFIED |
| THIRD ANGLE PROJECTION | UNLESS OTHERWISE SPECIFIED | UNLESS OTHERWISE SPECIFIED | UNLESS OTHERWISE SPECIFIED |

PLANAR SYSTEMS, INC. 156 NW COMPTON DRIVE BEAVERTON, OR 97008 USA

C67 RP/i OUTLINE

D C67 RP/i C67 RP/i A

1:10 DO NOT SCALE 1 OF 1