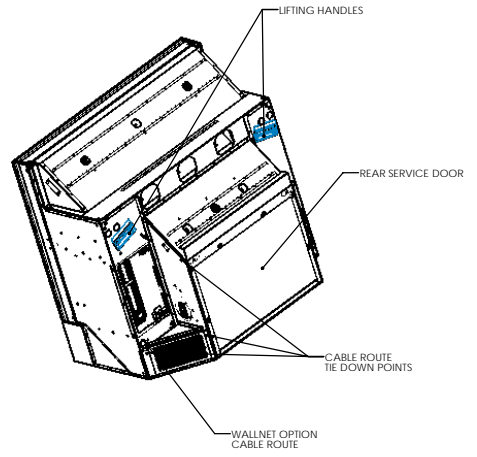
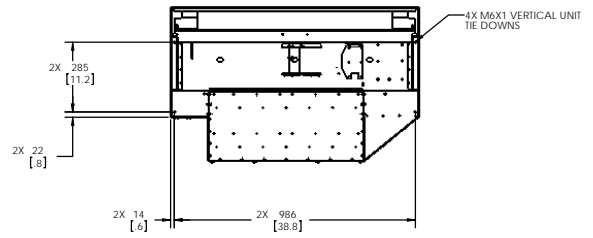
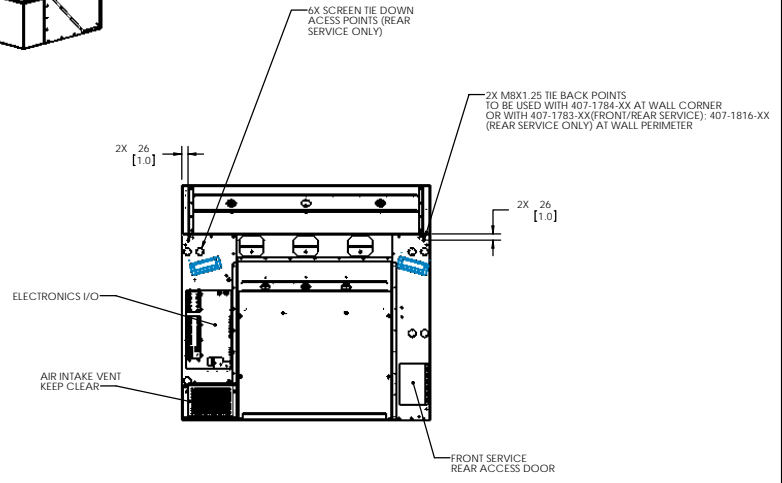
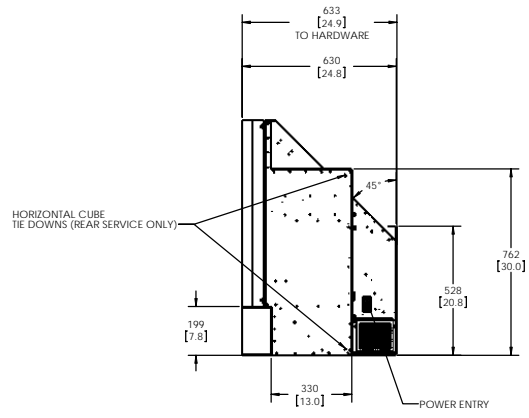
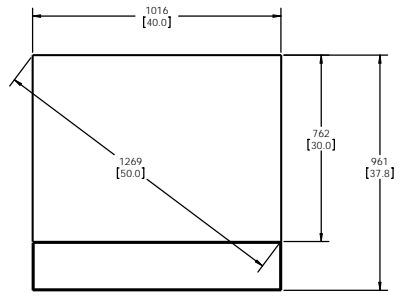
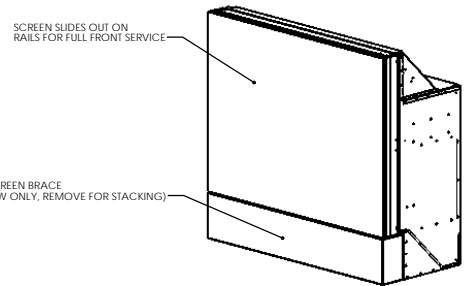
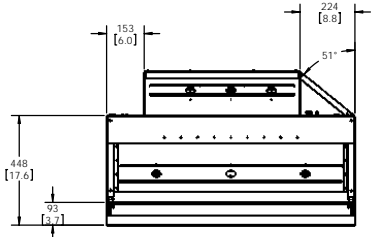


REVISION HISTORY				
ZONE	REV	DESCRIPTION	DATE	APPR'D ECN #
	00	PRELIMINARY RELEASE	29-Jun-07	EJS
	A	PRODUCT RELEASE	08-Aug-07	EJS



NOTES: UNLESS OTHERWISE SPECIFIED.

		DATE: 29JUN07 DESIGNED BY: EJS DRAWN BY:		PLANAR SYSTEMS, INC. 1195 HWY COMPTON DRIVE BEAVERTON, OR 97008 USA
TOLERANCES: X= .1 Y= .5 ANGLES= .1° DIMENSIONS AND TOLERANCING PER ASME Y14.5M	XX= .25 Z= .125	PART: C50 RX/i OUTLINE REV: D C50 RX/i C50 RX/i A		1:10 DO NOT SCALE 1 OF 1

THE DESIGN DESCRIBED HEREIN IS THE PROPERTY OF PLANAR SYSTEMS, INC. AND IS INTENDED TO BE USED ONLY FOR THE PRODUCTION OF PLANAR SYSTEMS PRODUCTS. THIS DESIGN IS NOT TO BE REPRODUCED, COPIED, OR TRANSMITTED IN ANY FORM OR BY ANY MEANS, ELECTRONIC OR MECHANICAL, INCLUDING PHOTOCOPYING, RECORDING, OR BY ANY INFORMATION STORAGE AND RETRIEVAL SYSTEM. WITHOUT PERMISSION IN WRITING FROM PLANAR SYSTEMS, INC.