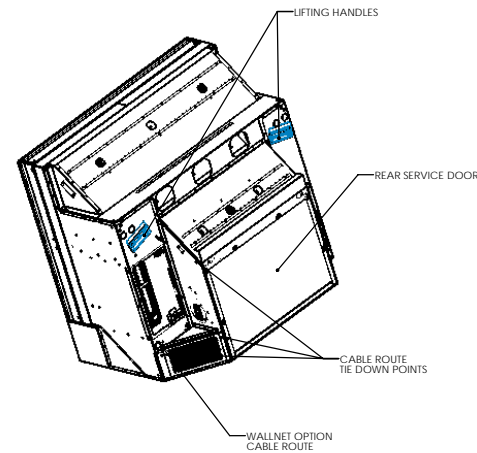
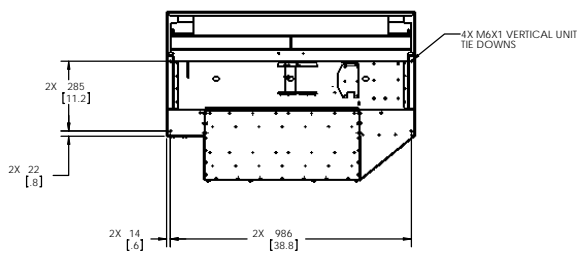
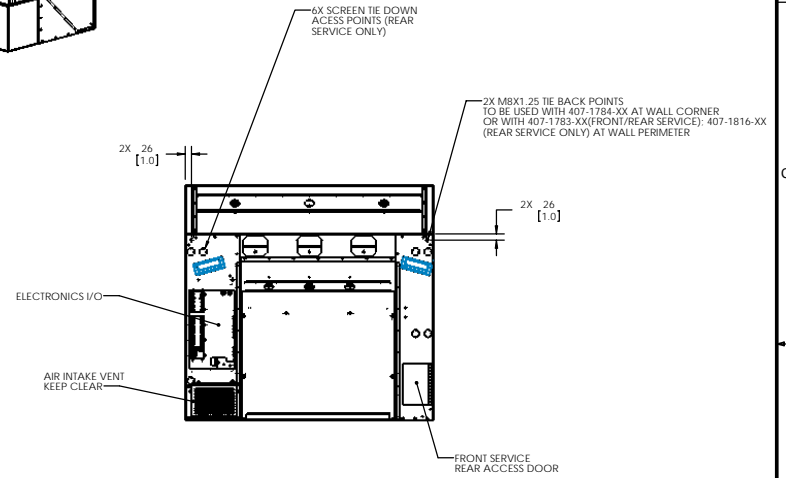
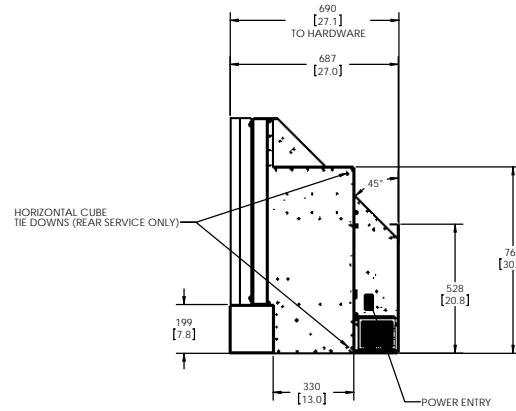
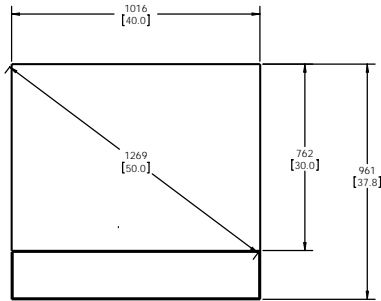
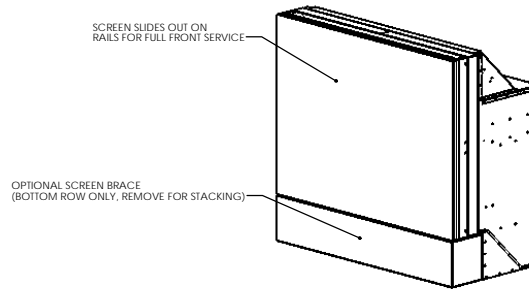
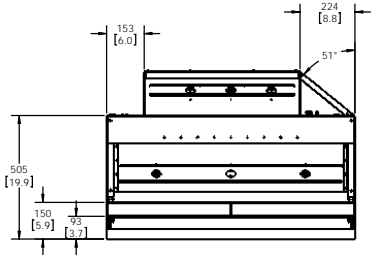


REVISION HISTORY				
ZONE	REV	DESCRIPTION	DATE	APPR'D ECN#
	00	PRELIMINARY RELEASE	29-Jun-07	EJS
	A	PRODUCT RELEASE	08-Aug-07	EJS



NOTES: UNLESS OTHERWISE SPECIFIED.

		DATE: 29JUN07 DRAWN BY: EJS CHECKED BY:		PLANAR SYSTEMS, INC. 1195 NW COMPTON DRIVE BEAVERTON, OR 97008 USA
TOLERANCES: X= .1 XX= .25 X= .5		ANGLE: .1° DIMENSIONS AND TOLERANCING PER ASME Y14.5M-2009	C50 RP/i OUTLINE	
THIRD ANGLE PROJECTION		PART: D C50 RP/i REV: 1.00 DO NOT SCALE		ECN: A 1 OF 1

THE DESIGN IS THE PROPERTY OF PLANAR SYSTEMS, INC. AND IS NOT TO BE REPRODUCED OR TRANSMITTED IN ANY FORM OR BY ANY MEANS, ELECTRONIC OR MECHANICAL, INCLUDING PHOTOCOPYING, RECORDING, OR BY ANY INFORMATION STORAGE AND RETRIEVAL SYSTEM. WITHOUT PERMISSION IN WRITING FROM PLANAR SYSTEMS, INC. ALL RIGHTS ARE RESERVED.