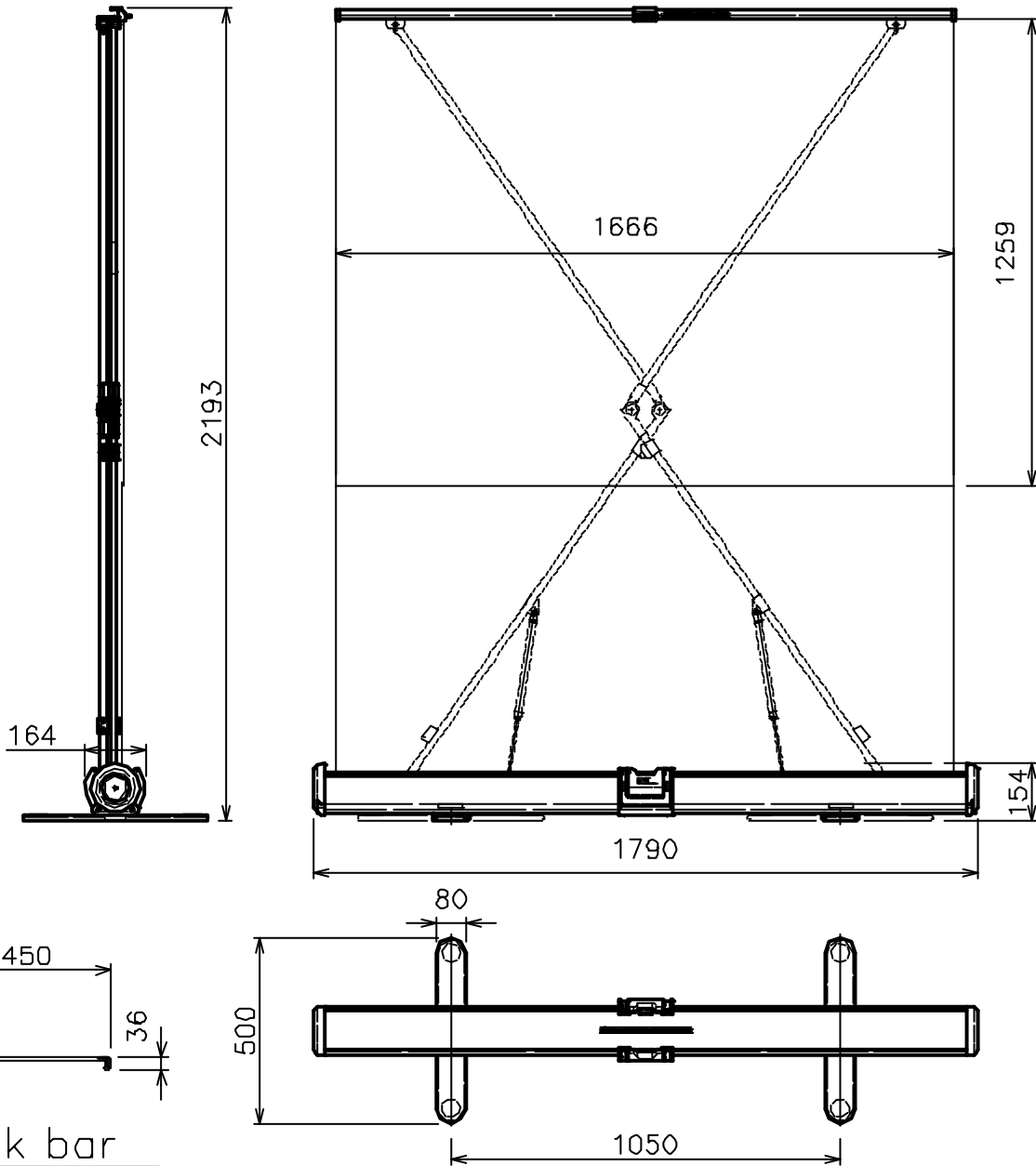


HISTORY	REVISION	DATE	SIGN.
△		. .	
△		. .	
△		. .	



hook bar

NO.	PART NAME	DWG. NO	DESCRIPTION	Q'TY	MATERIAL	
ANGLE	3rd	TOLERANCE	MATERIAL	NAME		
UNIT				BS-80		
SCALE				Carrier Vision		
A4	1/2		CODE NO	DWG. NO	13U0010	△
DRAWN BY	PLANNED BY	CHECKED BY	APPROVED BY			
'05.04.14	. .	'05.04.14	. .	OSI CO., LTD.		