

Format	Model	W	H	A	B	G	M,N	Weight (kg)	Surface		
									WF201	WF202	BU
H D (16:9)	A1-080	1771	996	2000	1455	1350 or above	60 or above	8.0	○	○	○
	A1-090	1992	1121	2221	1580	1350 or above	60 or above	9.0	○	○	○
	A1-100	2214	1245	2443	1704	1800 or above	60 or above	9.9	○	○	○
	A1-110	2435	1370	2664	1829	1800 or above	60 or above	10.6	○	○	○
	A1-120	2657	1494	2886	1953	2250 or above	60 or above	11.9	○	○	○

* Size B is a reference value

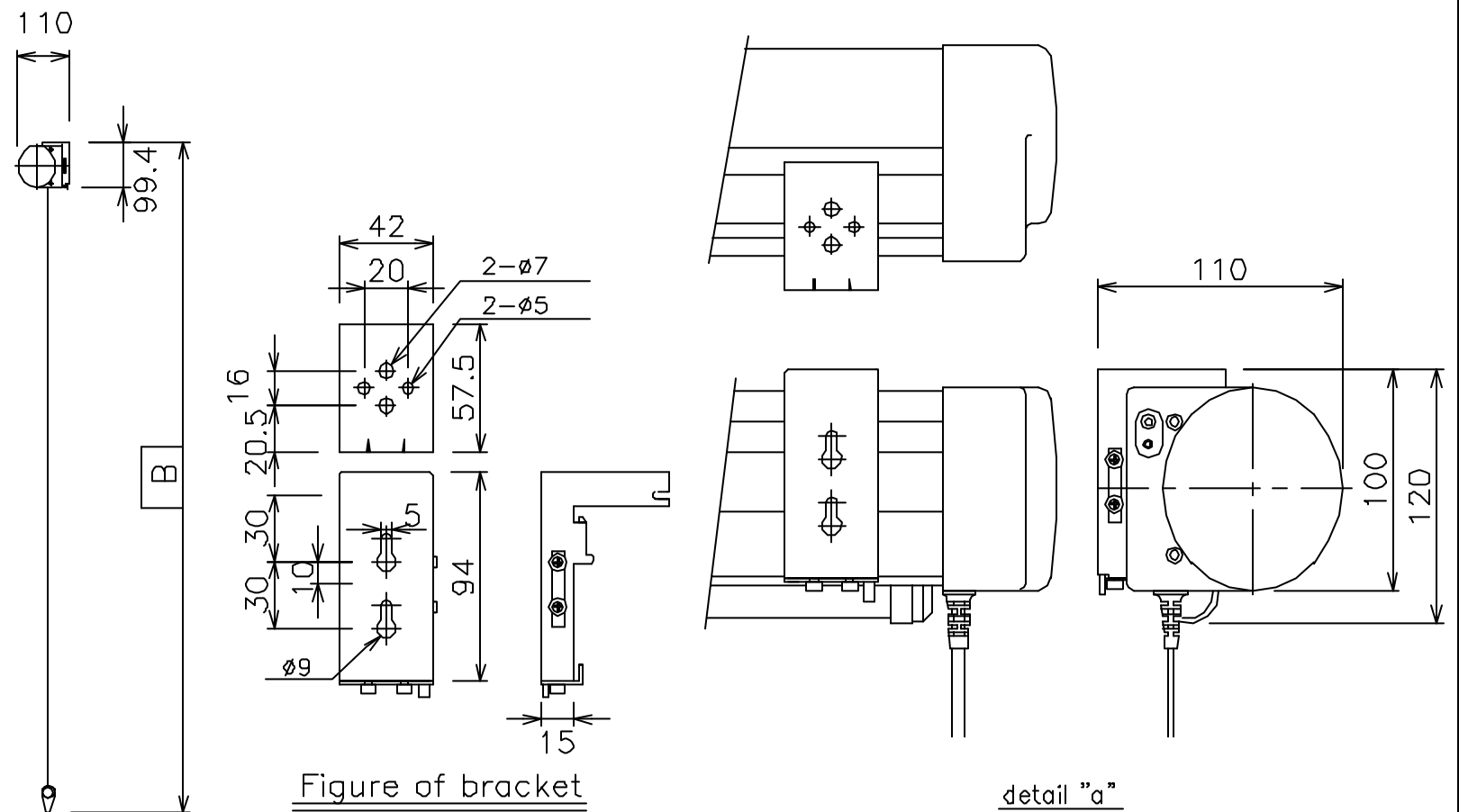
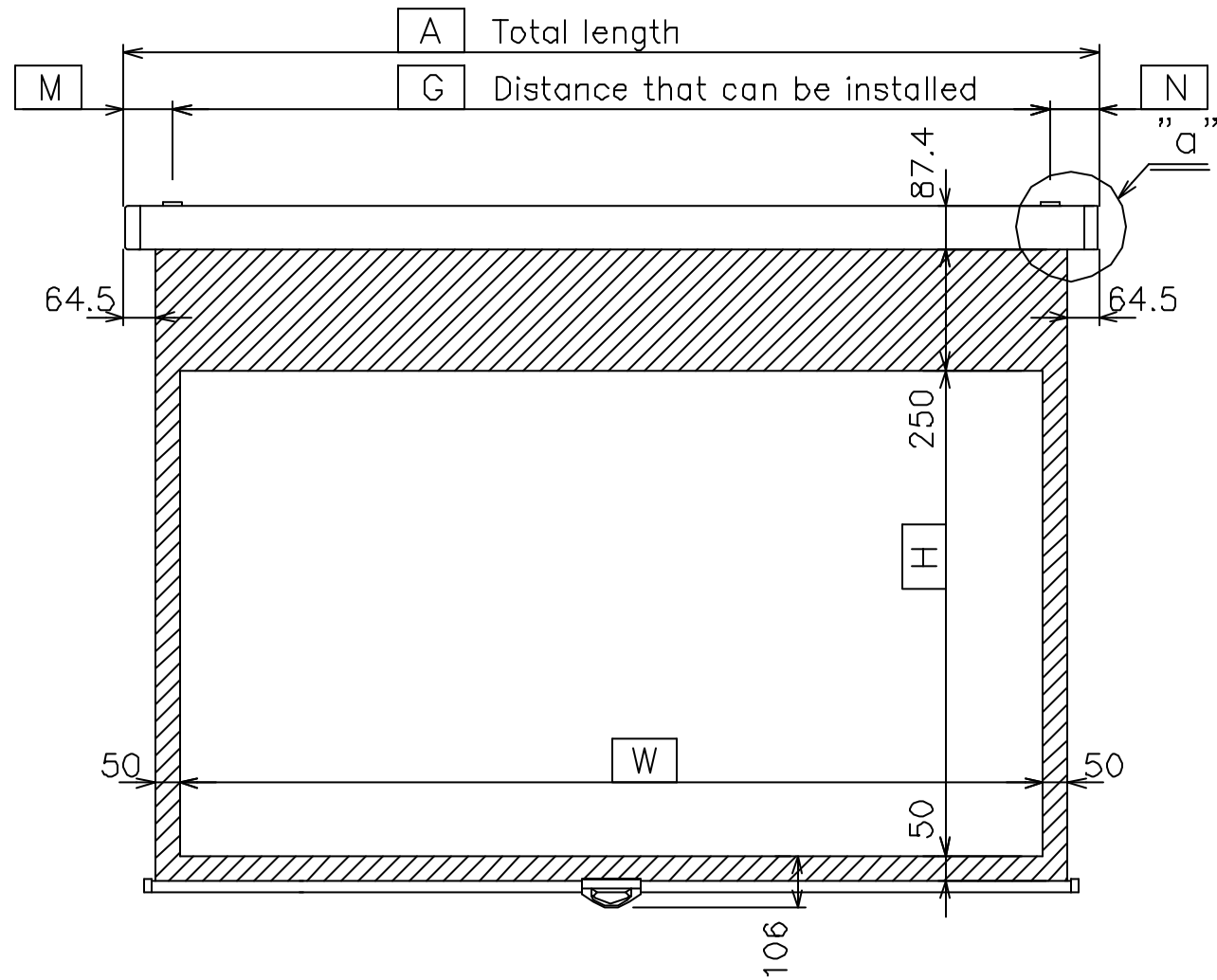


Figure of bracket

detail "a"

HISTORY	REVISION	DATE	SIGN.
△		.	.
△		.	.
△		.	.

NO.	PART NAME	DWG. NO	DESCRIPTION	Q'TY	MATERIAL
ANGLE	3rd	TOLERANCE	MATERIAL	NAME	
UNIT	mm		FINISH	A1	
SCALE	A3 ~		CODE NO	Manual type screen	
DRAWN BY	PLANNED BY	CHECKED BY	APPROVED BY	DWG. NO	13U0001 △
'05.04.14	.	'05.04.14	.	OSI CO., LTD.	