

MultiView™ Matrix 8x8 CAT5 Video Switch



The MultiView™ Matrix 8x8 is another breakthrough in CAT5 technology from Magenta Research, the demonstrated leader in high-resolution video delivery and distribution. A full-matrix routing switch, the MultiView Matrix 8x8 enables unparalleled adaptability and cost-effectiveness in distributing video up to UXGA resolution over CAT5-type cable.

Features:

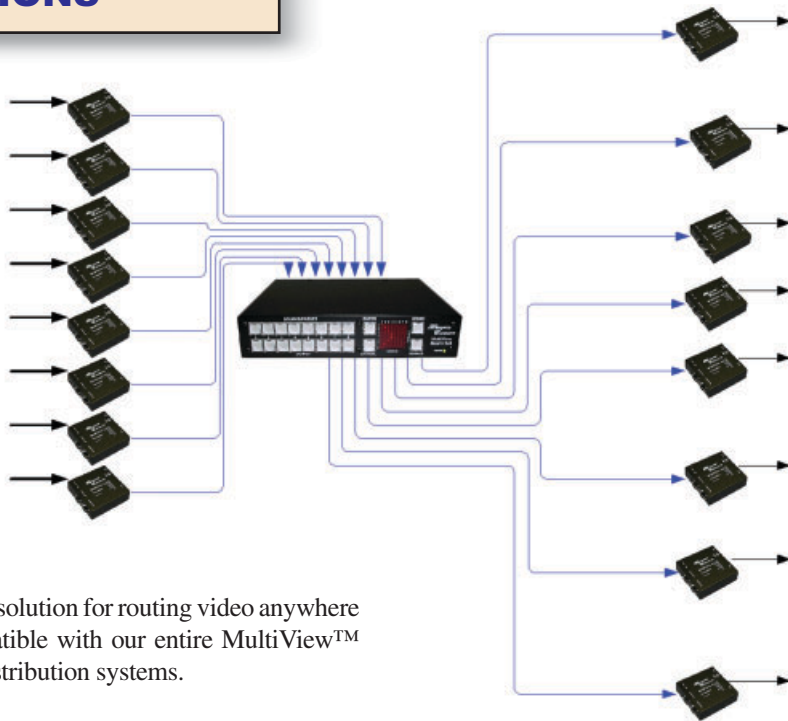
- ◆ CAT5 RJ45 inputs and outputs - only 16 total vs. dozens of coax cables
- ◆ Front panel, illuminated push buttons
- ◆ Serial control-ready
- ◆ 8 programmable presets for instant configuration switching
- ◆ Unique LED matrix clearly displays input-to-output connections
- ◆ Super-small size can fit anywhere
- ◆ Rack-mount kit (optional)

Benefits:

- ◆ Serial-controllable via RS232, RS422, and RS485
- ◆ Compatible with industry-standard control systems and PC serial control
- ◆ Allows for CAT5 runs from source to display, even in “switched” environments
- ◆ Replaces the need for costly, bulky, heavy RGBHV, BNC or RCA cabling
- ◆ Compatible with the entire MultiView™ Series of transmitters and receivers

Magenta Research’s MultiView™ Series is the industry’s only complete “system solution” for the delivery and distribution of video (from NTSC to UXGA), serial data and audio over CAT5/5e/6 twisted pair cables. The unique “building block” approach of the MultiView Series supports applications ranging from point-to-point through distribution to hundreds, including sophisticated switched environments. Multiple models of transmitters, receivers and distribution options transport UXGA video up to 1500 feet (457m), all on inexpensive, easily pulled and terminated twisted-pair cable.

CAT5 VIDEO DISTRIBUTION SOLUTIONS



MultiView™ Matrix 8x8 is the solution for routing video anywhere you need it! It is fully compatible with our entire MultiView™ Series of video delivery and distribution systems.

MultiView™ Matrix 8x8 Specifications:

Video transport*:

RGBHV, RGsB, Component, Y/C, NTSC, PAL, YUV (model-dependent)

Audio transport*:

Line-level combined L&R or SPDIF

Serial data transport*:

Uni-directional RS232, DC to 19.2k baud (model-dependent)

Resolution*:

2048 x 1538 @ 75Hz

Switch control:

Serial control port: RS232, RS422 or RS485 via captive screw connector

Baud rate:

9600, 8 bit, 1 stop bit, no parity or 19.2k, 8 bit, 1 stop bit, no parity

User Interface:

Front panel push buttons/PC/3rd party control

* Via Multi-View™ Series transmitters & receivers

magenta

MAGENTA RESEARCH

Power:

90-240 VAC @ 50/60 Hz, internal

Mechanical:

Dimensions: 8.12" W x 6.5" D x 1.75" H
(20.6 cm x 16.5 cm x 4.45 cm)

Weight: 2.6 lb (1.2 Kg)

Enclosure: Steel

Environmental:

Operating: 0 to 40° C

Storage: -20 to 60° C

Humidity: 80% non-condensing

MTBF: 100,000 hrs

Rack mount options available

Approvals:

CE, FCC pending