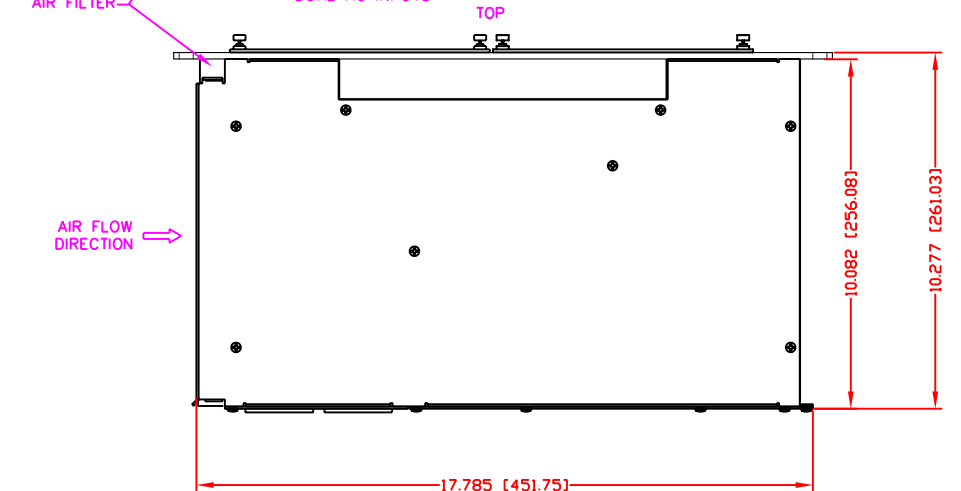
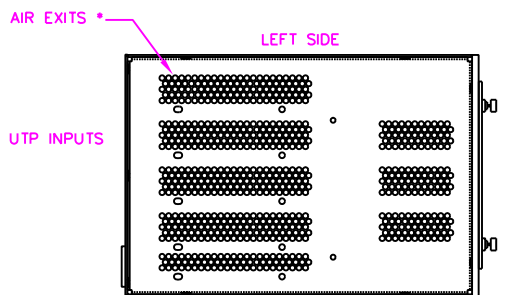
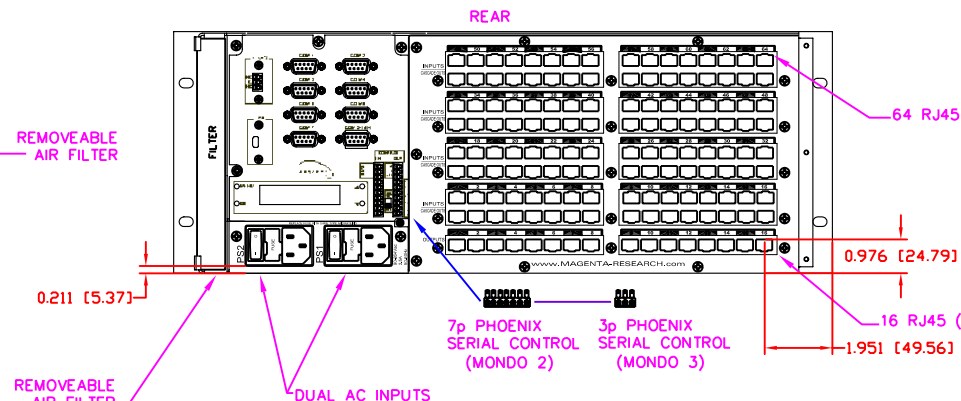
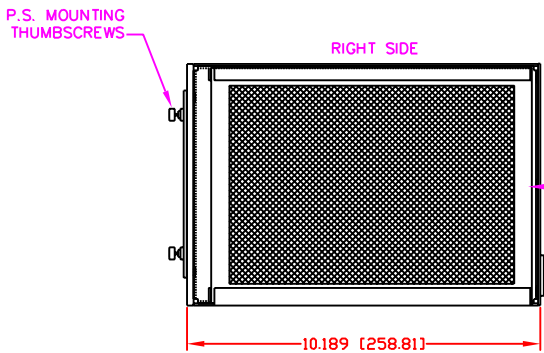
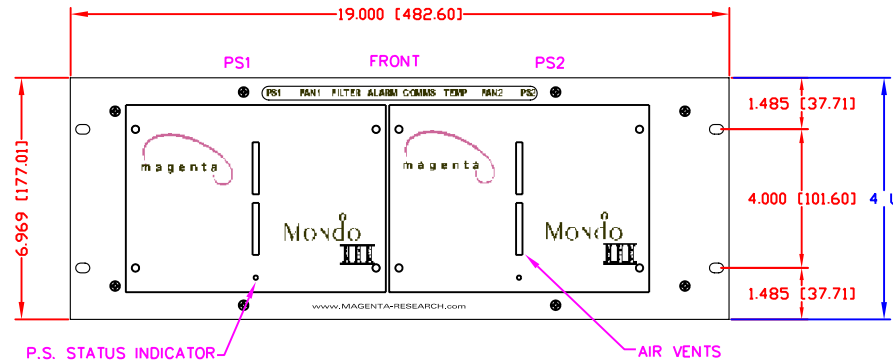


REVISION RECORD				
REV.	EO NO.	DESCRIPTION	DATE	APPRO.
01	6370	Initial Release	8/27/08	JR



1. THIS PRODUCT IS RoHS COMPLIANT
2. THIS PRODUCT TESTED TO COMPLY WITH FCC STANDARD, CLASS A DEVICE
3. THIS PRODUCT IS CE COMPLIANT

\* KEEP AIR INLETS AND FAN FILTER CLEAR OF OBSTRUCTION.

REWORK ALL DIMS AND BREAK ALL SHARP CORNERS	INTERIOR	FINISH	DRIVEN	DATE	BY		ALL DIMENSIONS ARE IN INCHES UNLESS OTHERWISE SPECIFIED ALL DIMENSIONS ARE IN INCHES AND DECIMAL FRACTIONS ARE ARE FOLLOWS: FRACTIONS DECIMALS ANGLES 1/8" .3125 90° REF 2.000	PROPRIETARY TO MAGENTA RESEARCH LTD NOT TO BE USED OR REPRODUCED FOR MANUFACTURING PURPOSES EXCEPT ON MAGENTA RESEARCH ORDER OR PRIOR TO WRITTEN CONSENT	TITLE <b>SALES DRAWING</b> <b>MONDO III</b>	DRW D	DRWING NO. <b>2500022-01</b>	REV <b>01</b>
							SCALE - DO NOT SCALE DRAWING SHEET 1 OF 1					