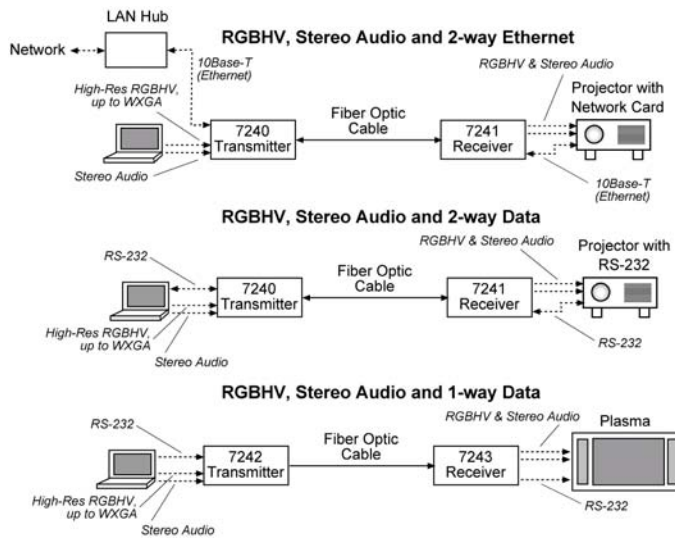


7240 SERIES

AV meets IT with this revolutionary fiber product, combining RGBHV, stereo audio, Ethernet and 2-way data support, all over a single fiber optic core



7240 / 7241		
SIGNAL	CHANNELS	DIRECTION
RGB	1	→
Audio	2	→
10Base-T	1	↔
Data	1	↔

7242 / 7243		
SIGNAL	CHANNELS	DIRECTION
RGB	1	→
Audio	2	→
Data	1	→

Description and Features:

Digitally transmits RGBHV, stereo audio, bidirectional 10Base-T and bidirectional data over a single fiber

Transmitter/receiver pair for RGBHV, stereo audio and one-way data also available

Supports VGA, SVGA, XGA and WXGA (640 x 480 up to 1366 x 768), and HDTV resolutions of 480p, 720p and 1080i (RGBHV format only)

Uses single mode or multimode fiber; see ordering information

Low audio/video skew, <300 uSec

All digital processing and transmission delivers crystal clear signals and no color pixel skewing

Transparent bidirectional 10Base-T support enables communication between a local device, such as a projector or a media controller, and a local area network (LAN) server

Transparent bidirectional data channel supports RS-232, RS-422 and RS-485 protocols. 7242 & 7243 models support one-way RS-232 and RS-422.

Card or box version. Card fills two slots within model 6000A card cage

Ordering Information:

Part Number	Description	Number of Fibers
7240-xyS	Transmitter - RGBHV, Audio, 10Base-T, 2-way data	1
7241-xyS	Receiver - RGBHV, Audio, 10Base-T, 2-way data	1
7242-x7S	Transmitter - RGBHV, Audio, 1-way data, SM or MM	1
7243-x7S	Receiver - RGBHV, Audio, 1-way data, SM or MM	1
PDPS-1-pp	Power Supply	
101933	6 ft. HD-15M to HD-15M VGA type cable	
1206	6 ft. HD-15M to 5 x BNC-M RGBHV cable	
1213	6 ft. 3.5 mm plug to 2 x RCA-M stereo audio cable	
1214	6 ft. 3.5 mm plug to 3.5 mm plug stereo audio cable	
6340	ST-M to FCPC-F adapter for multimode fiber	
6350	ST-M to FCPC-F adapter for single mode fiber	

x: B: Box Version
C: Card Version

y: 3: Multimode Version
7: Single mode Version

Power Supply Suffix Codes: (Line Cord)

pp: NA N. America
AU Australia
EU Europe
JP Japan
UK United Kingdom



Video Specifications:

Number of Video Channels	1 RGBHV
Number of Baseband Video Outputs	1
RGB Processing	24 bits, no compression or scaling
Input Impedance	RGB: 75 Ohms; H & V: Hi-Z
Input Level	RGB: 714 mV p-p; H & V: 3 to 5 V p-p
H & V Sync Frequency Range	H: 15 to 60 kHz; V: 30 to 85 Hz
RGB Format Supported	RGB with separate H and V
Video Connector	HD-15F

Audio Specifications:

Number of Audio Channels	2
Number of Baseband Audio Outputs	2
Frequency Response	+0/-0.5 dB, 20 Hz - 20 kHz
Bits-per-Sample/Sampling Rate	24 bits; 52 kHz
Maximum Audio Level; SNR (A-Weighted)	+10 dBu; 95 dB
THD+N	0.005%, 20 Hz - 20 kHz
Channel Phase Differential	±0.1°
Crosstalk	Min. 95 dB (1 kHz)
Input & Output Impedance	Input: >24 k Ohms; Output: < 1 Ohm
Audio to Video Diff. Delay (skew)	<300 uSec
Audio Connector	3.5 mm jack

Ethernet Specifications: (7240/7241 only)

Port:	10Base-T, RJ-45 connector, Auto-MDIX
Speed:	10 Mbps Ethernet

Data Specifications:

Data Bandwidth	DC to 115 Kb/sec, max.
Control Format	switch selectable RS-232 & RS-422; Only the 7240/4241 models support RS-485 (2-wire and 4-wire)
Protocols	NRZ, NRZI, RZ, Manchester, Bi-phase
Signal Connectors:	Removable terminal block

General Specifications:

LED Indicators	Power, Video, Audio, Data, Link, Activity, Alarm (card version only)
Operating Temperature Range	-20° to +50° C
Slots Filled in 6000A Card Cage	2
Operating Wavelength & Optical Connectors	310 nm; 1550 nm on return path - SM; ST type 850 nm on return path - MM; ST type
Physical Size	6.5 W x 1.15 H x 8 L (inches) 165 W x 29 H x 203 L (mm)
Weight	Approx. 1 lb., 3 oz.; 0.589 kg



7240 / 7241		
SIGNAL	CHANNELS	DIRECTION
RGB	1	→
Audio	2	→
10Base-T	1	↔
Data	1	↔

7242 / 7243		
SIGNAL	CHANNELS	DIRECTION
RGB	1	→
Audio	2	→
Data	1	→

Operating Loss Budget and Maximum Usable Distance*:

7240 / 7241		
Wavelength	Loss(dB)	Distance (km)
1310 MM	0-10	0.35
1310 SM	0-15	30
7242 / 7243		
1310 MM	15	0.75
1310 SM	15	30

MM = Multimode Fiber
SM = Single Mode Fiber

*Distance specifications are only approximate and are not guaranteed. Operating loss budget must not be exceeded.

Warranty:

Pure Digital Fiberlink transmission systems are backed by a three-year limited warranty on parts and labor and a 30-day satisfaction guarantee.*

*See website for terms and conditions.



UPDATED 8/12/05

All specifications are subject to change without notice. Pure Digital Fiberlink is a registered trademark of Communications Specialties, Inc. © 2005

