

---

# ***Scan Do*® *SELECT***

High Resolution VGA and Macintosh®  
Computer-to-Video Scan Converter

## **RS-232 REMOTE CONTROL PROTOCOL**

**Second Edition**

**October, 1999**



WORLD HEADQUARTERS  
55 Cabot Court  
Hauppauge, NY 11788 USA  
TEL: (631) 273-0404 FAX:(631) 273-1638  
WWW: <http://www.commspecial.com>  
EMAIL: [info@commspecial.com](mailto:info@commspecial.com)

Singapore Representative Office  
7500A Beach Road  
#15-314 The Plaza  
Singapore 199591  
TEL: +65 293 0258 FAX: +65 293 1538  
EMAIL: [csiasia@commspecial.com](mailto:csiasia@commspecial.com)

# CONTENTS

Communications Specialties, Inc.  
55 Cabot Court  
Hauppauge, NY 11788 USA  
TEL: (631) 273-0404  
FAX: (631) 273-1638  
WWW: <http://www.commspecial.com>  
EMAIL: [info@commspecial.com](mailto:info@commspecial.com)

CSI Asia  
(Singapore Representative Office):  
7500A Beach Road  
#15-314 The Plaza  
Singapore 199591  
TEL: +65 293 0258  
FAX: +65 293 1538  
EMAIL: [csiasia@commspecial.com](mailto:csiasia@commspecial.com)

Introduction .....	2
Operation .....	2
Communication Parameters .....	2
Command Formats .....	3
Remote Command Table .....	4

## INTRODUCTION

Thank you for purchasing *Scan Do Select*, the amazingly affordable, high-performance, computer-to-video scan converter. This manual only includes information regarding the RS-232 Remote Control Protocol for Scan Do Select. For complete operating instructions, please refer to the User's Manual that came with your unit.

Should you need to contact us for support, our office is open Monday through Friday, from 8:30 AM to 5:00 PM Eastern Time. We also offer a comprehensive web site for your added convenience.

Thank you for choosing Scan Do Select. As always, we welcome your comments and suggestions.

## OPERATION

### COMMUNICATION PARAMETERS:

- 9600 Baud
- 8 data bits, no parity, 1 stop bit
- Generic TTY
- No flow control

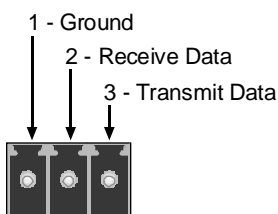


FIGURE 1: RS-232 MALE RECEPTACLE

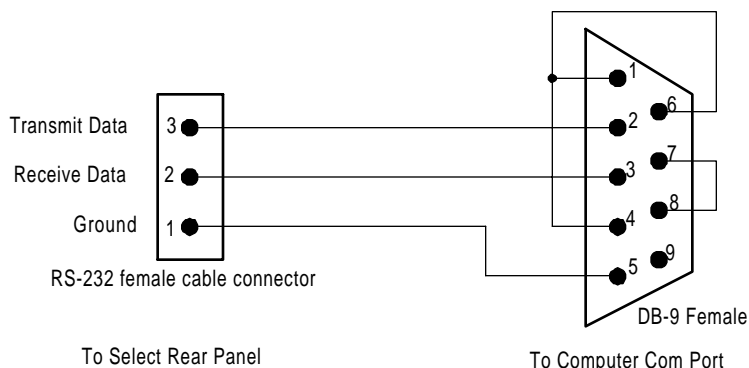


FIGURE 2: SCAN DO SELECT RS-232  
REMOTE TO COMPUTER CABLE CONNECTION

---

## **COMMAND FORMATS:**

All commands are case insensitive. Illegal commands, or commands with illegal parameters have no effect. The unit will return “Unknown Cmd”. A failed write command will send back “-1”.

Please note that a carriage return is a carriage return only and not a carriage return with a line feed.

### **Write Format for Commands *with* Parameters:**

<two\_letter\_command\_name>:,<parameter> <carriage\_return>

For example, send the following command to set the zoom to 1.6x.

zm:,3.↵

Sending <two\_letter\_command\_name>:,<carriage\_return> without the parameter will set the command to parameter 0.

### **Write Format for Commands *without* Parameters:**

<two\_letter\_command\_name><carriage\_return>

As an example, reset to the factory defaults by sending the following command: re.↵

### **Read Format:**

<two\_letter\_command\_name>:<carriage\_return>

returns

<two\_letter\_command\_name>:=<parameter\_value>

For instance, read the zoom setting by sending the following read command: zm:↵

The unit will send back the following message: zm:=3

The read only command, fm, which reads the unit’s firmware version is the only command that does not return the information in the format listed above. It returns the model name and the firmware’s version number, date and time. See the Remote Command Table for more details.

Commands that do not have parameters and the four jump commands (jl, jr, ju, jd) cannot be read. Trying to read these commands will return the “Unknown Cmd” message.

**REMOTE COMMAND  
TABLE:**

Two letter command name	Parameter	Description	Available commands
re	N/A	System reset to factory defaults	write only
vd	N/A	Vertical default	write only
hd	N/A	Horizontal default	write only
pl	N/A	Pan left	write only
pr	N/A	Pan right	write only
pu	N/A	Pan up	write only
pd	N/A	Pan down	write only
jl	1 to 999	Jump left by X pans	write only
jr	1 to 999	Jump right by X pans	write only
ju	1 to 999	Jump up by X pans	write only
jd	1 to 999	Jump down by X pans	write only
qd	0	Move to upper right quadrant	read and write
	1	Move to upper left quadrant	
	2	Move to lower left quadrant	
	3	Move to lower right quadrant	
zm	0	Zoom 0.85x	read and write
	1	Zoom 1.0x	
	2	Zoom 1.3x	
	3	Zoom 1.6x	
	4	Zoom 2.0x	
af	0	No antiflicker	read and write
	1	Antiflicker level 1	
	2	Antiflicker level 2	
	3	Antiflicker level 3	
	4	Maximum antiflicker	
lk	0	Unlock front panel	read and write
	1	Lock front panel	
te	0	Test mode off	read and write
	1	Test mode on	
fz	0	Freeze disabled	read and write
	1	Freeze enabled	
fm	N/A	Returns unit model name with firmware version number, date and time in the following format.  Scan Do Select Version 1.4, Sep 7 1999, 10:58:23	read only
ot	0	Output format NTSC	read only
	1	Output format PAL	
in	0	Input format VGA 640 x 400	read only
	1	Input format VGA 640 x 480	
	2	Input format VGA 800 x 600	
	3	Input format MAC 832 x 624	
	4	Input format VGA 800 x 600, 72 Hz	
	5	Input format VGA 1024 x 768	
	6	Input format VGA 1152 x 864	
	7	Input format SUN 1152 x 900	
	8	Input format VGA 1280 x 1024	
	9	Input format VGA 1280 x 1024	
	a	Input format Input Error	